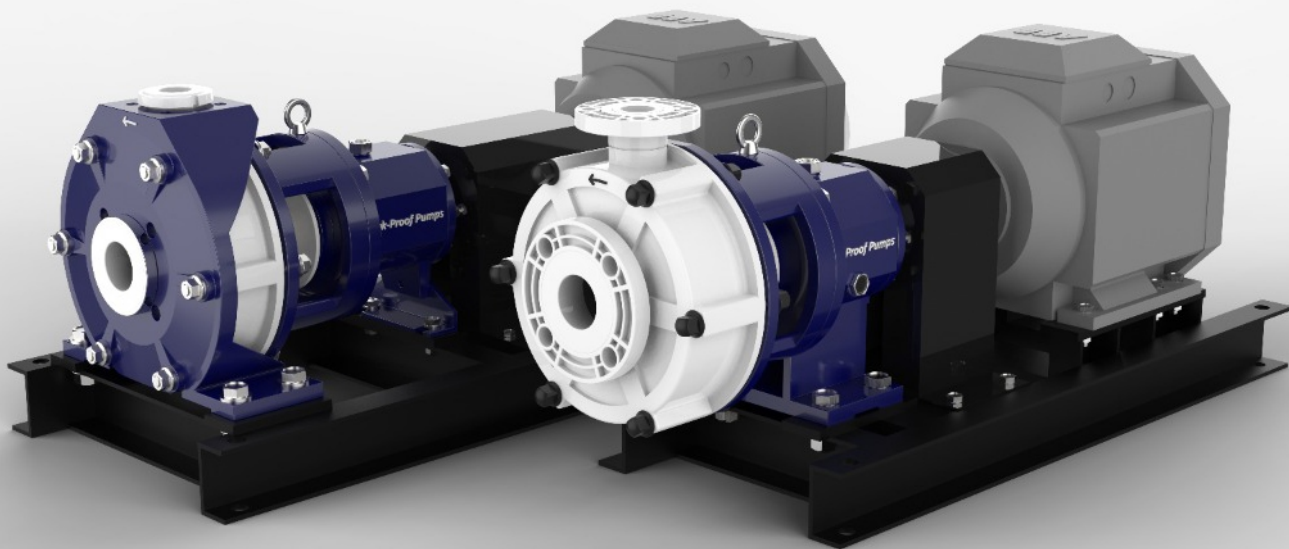




Leak-Proof Pumps Pvt.Ltd.



High efficiency solid thermoplastic pump for aggressive fluids.



ISO 5199 | ISO 2858

Chemical process pumps since 1989



SERIES PEZ RDZ KRZ

PP
PVDF

PEZ

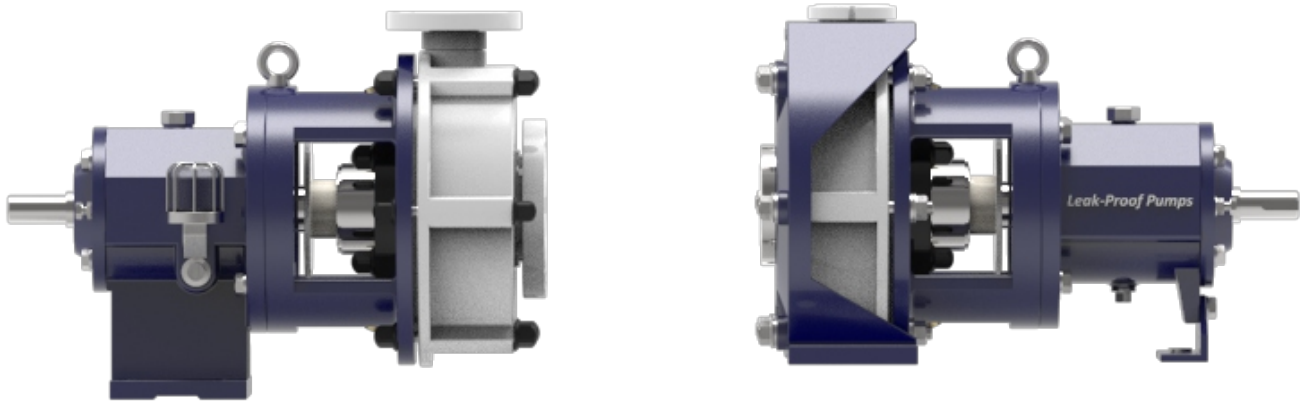
Series PEZ are solid injection moulded pumps available in Polypropylene (PP) and Glass fiber reinforced PP (GFRPP) materials. these pumps incorporate robust design to handle highly corrosive fluids including corrosive slurries.

RDZ

Series RDZ are solid injection moulded armored pumps available in PP, GFRPP materials that incorporate back pull-out features. This feature offers all the advantages of easy maintenance similar to metallic pumps.

KRZ

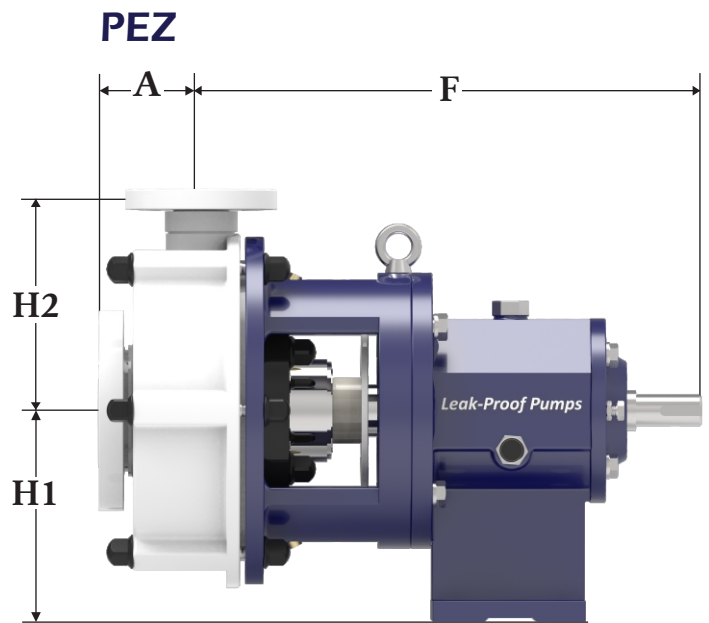
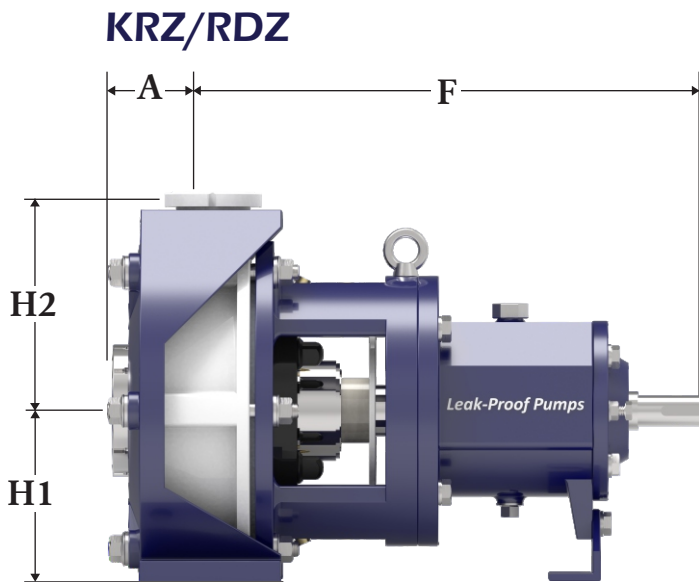
Series KRZ are solid injection moulded PVDF pumps and are a variation of series RDZ.



Technical Data

Series	PEZ	RDZ	KRZ
Capacity up to (m ³ /hr) Q	80	250	250
Head up to (m) H	60	60	100
Max temperature T	80 °C	80 °C	120 °C
Max working pressure (bar) P	6	6	16
Nozzle connection	1"- 2.5"	1"- 4"	1"- 4"
Main material	PP,GFRPP	PP, GFRPP	PVDF
Motor power up to	37kw		75kw
Mechanical seal	single		single/double
Frequency	50/60 Hz		
Poles	2/4 poles		
Max. Viscosity	200cp		
Impeller type	Semi open		
Max. specific gravity	1.84		
Flange Rating	ANSI B16.5 class 150RF		
BEP Upto	45%	72%	

Pump Dimensions



MODEL	In	Out	A	F	H1	H2	Ød
KRZ/RDZ 25-100	40	25	77	385	106	140	24
KRZ/RDZ 25-125	40	25	80	380	112	140	24
KRZ/RDZ 32-160	50	32	80	395	135	170	24
KRZ/RDZ 32-200	50	32	100	395	160	200	24
KRZ/RDZ 40-125	40	40	80	385	112	140	24
KRZ/RDZ 40-160	65	40	80	395	132	170	24
KRZ/RDZ 40-200	65	40	100	395	160	200	32
KRZ/RDZ 40-250	75	40	100	517	200	250	24
KRZ/RDZ 50-160	80	50	100	404	160	200	24
KRZ/RDZ 50-200	80	50	105	395	200	225	24
KRZ/RDZ 50-250	80	50	110	511	200	250	32
KRZ/RDZ 50-315	80	50	125	517	280	315	32
KRZ/RDZ 60-160	80	65	110	395	200	225	24
KRZ/RDZ 65-200	80	65	110	510	200	250	32
KRZ/RDZ 80-250	100	80	140	522	225	280	32
KRZ/RDZ 100-250	125	100	140	522	225	280	32
KRZ/RDZ 100-315	150	100	140	550	280	315	32

MODEL	In	Out	A	F	H1	H2	Ød
PEZ 25-100	40	25	80	385	132	140	24
PEZ 25-125	40	25	83	380	132	140	24
PEZ 32-160	50	32	80	395	160	170	24
PEZ 32-200	50	32	100	395	160	200	24
PEZ 40-125	40	40	83	385	132	140	24
PEZ 40-160	65	40	80	391	132	170	24
PEZ 40-200	65	40	100	394	160	200	24
PEZ 40-250	80	40	100	516	200	250	32
PEZ 50-160	80	50	100	403	160	200	24
PEZ 50-200	80	50	105	395	160	225	24
PEZ 65-160	80	65	110	395	160	225	24
PEZ 65-200	80	65	140	510	200	250	32

Note

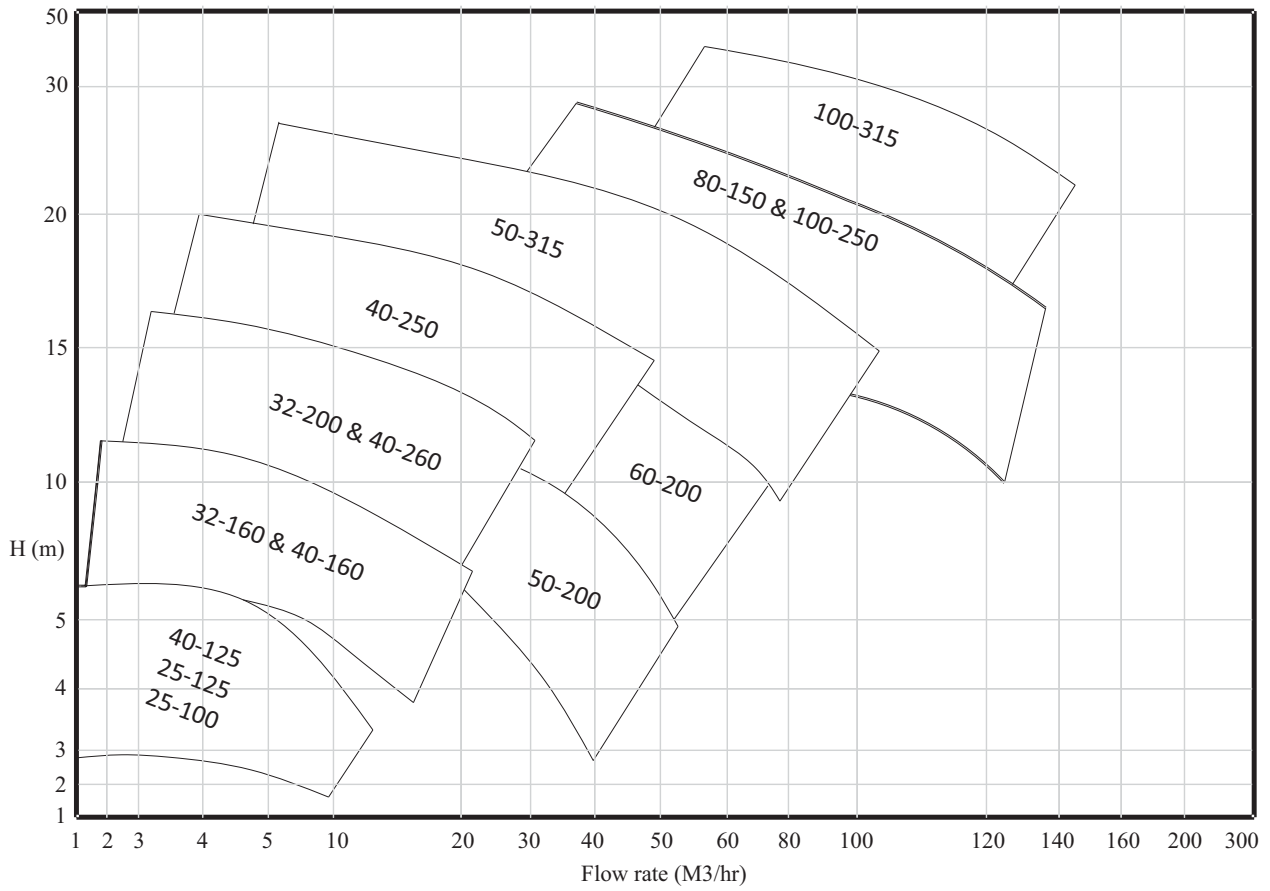
- All Dimension in MM
- Dimension of KRZ & RDZ are same

Design Features

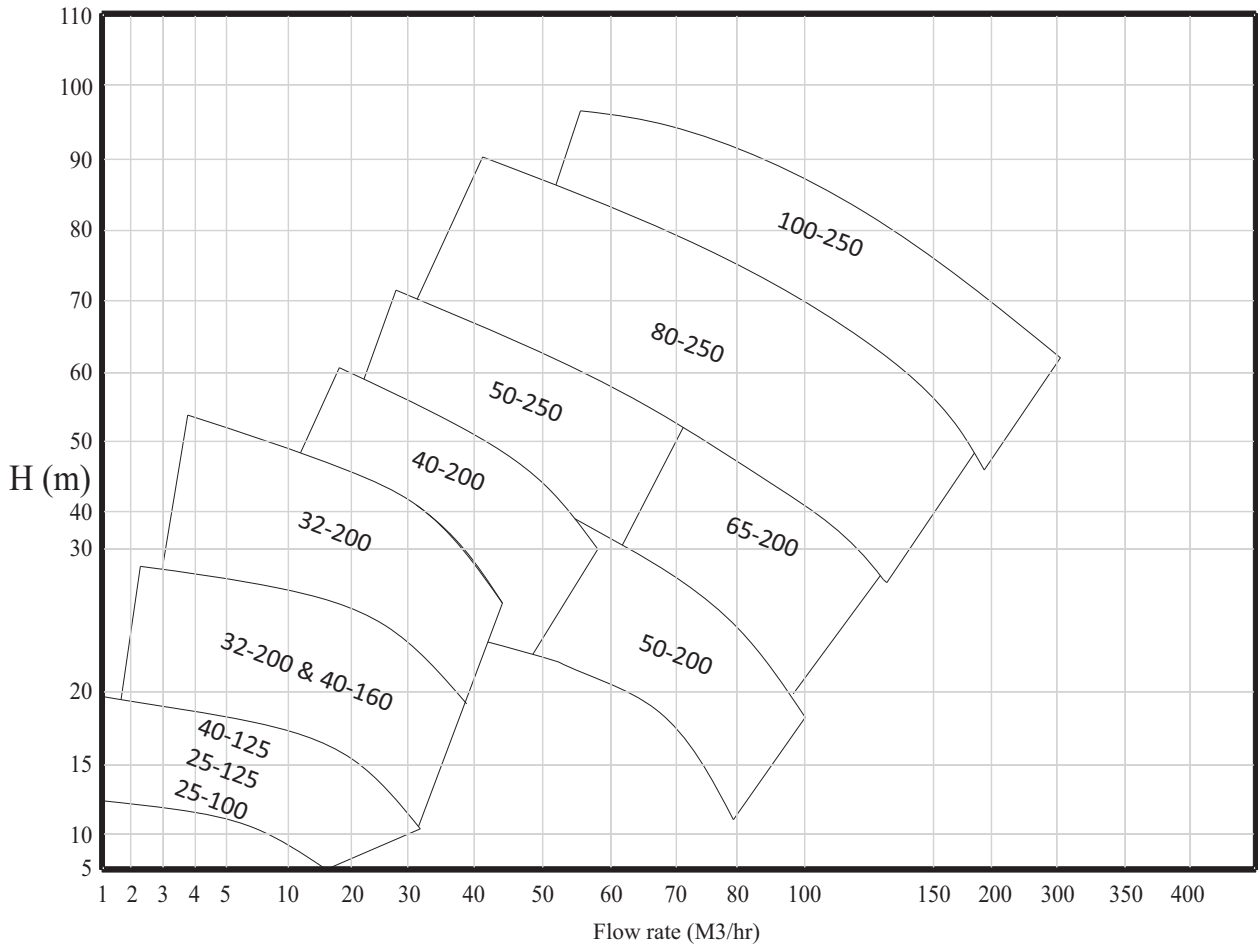
- Wide verity of hydraulic to match all type duty point
- Three power-end covers entire range, helps in reducing spares required.
- Back-pull out design provide safe simple assembly and disassembly of pump
- Robust construction is designed for improved reliability
- Low noise and vibration
- High wall thickness of non metallic wetted parts
- Metal reinforced impeller for improved performance
- Premium service duty thrust bearing for longer services life

Performance curve

1450 rpm

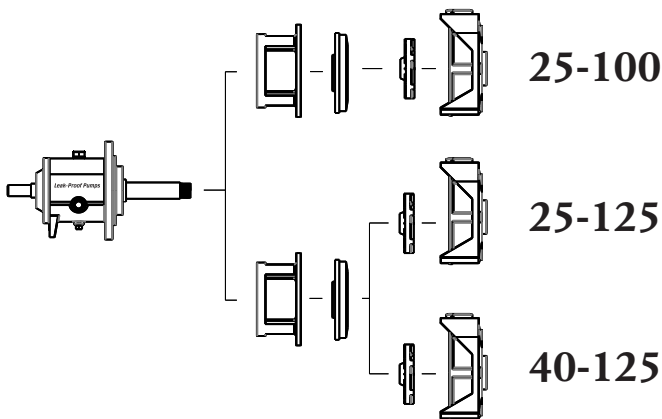


2990 rpm

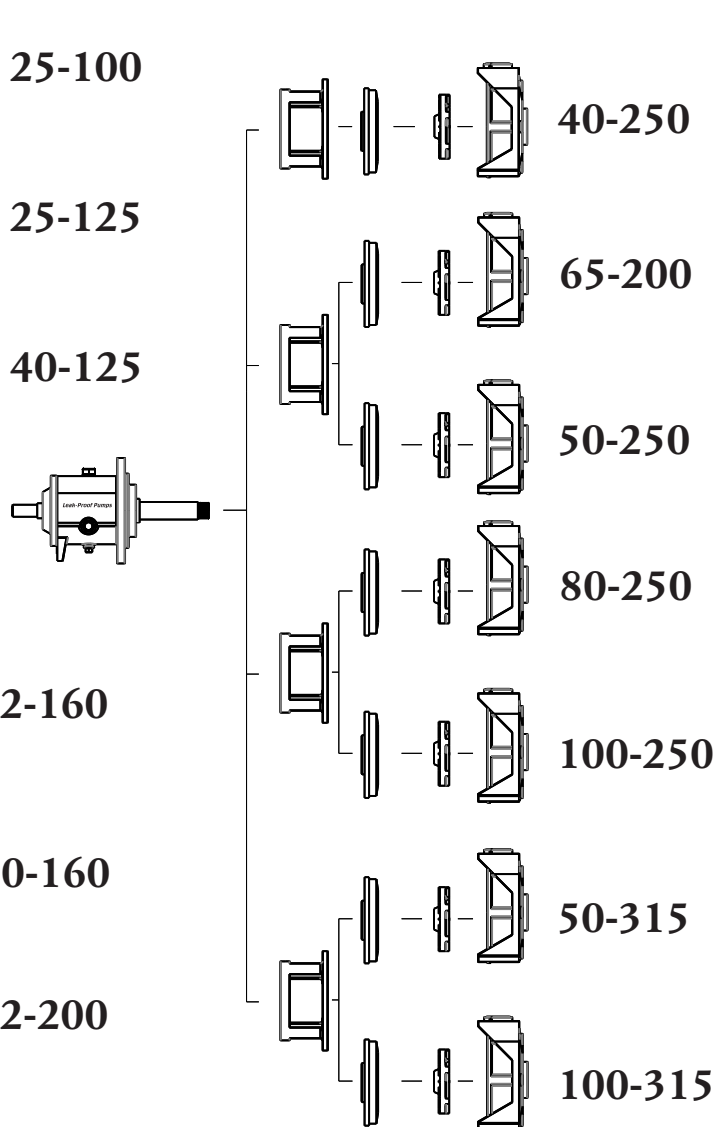


Interchangeability

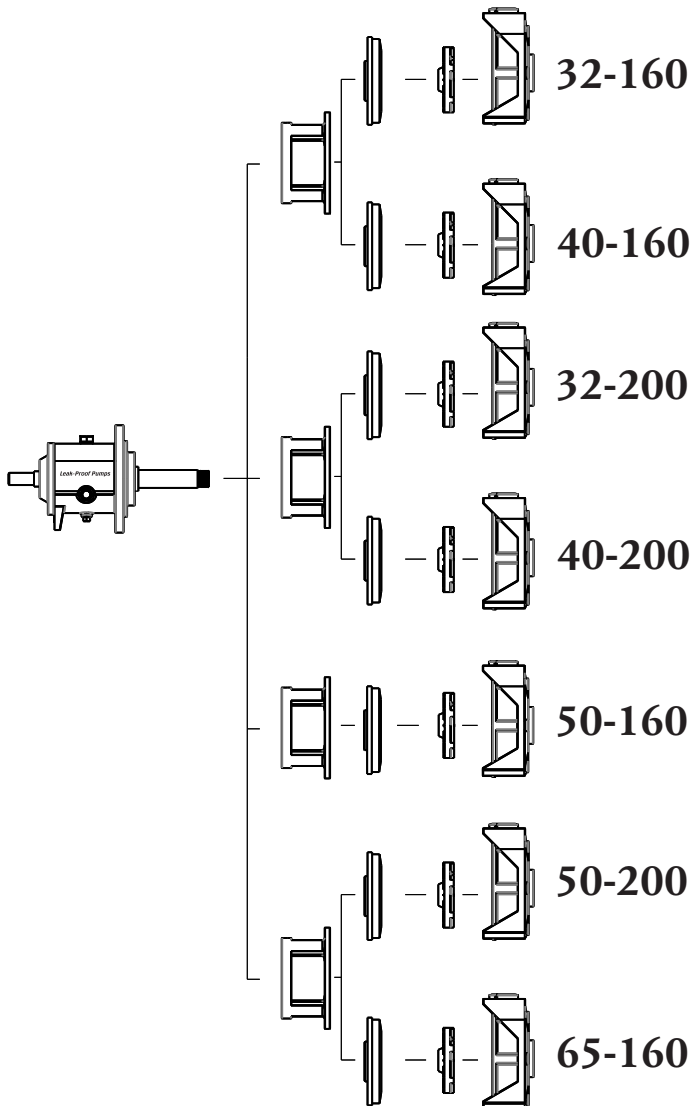
Power end 1



Power end 3



Power end 2



Application

The Series PEZ, RDZ, KRZ thermoplastic pumps are solution of choice for pumping fluids posing an environment or health hazards such as acid, alkalis, solvent or chemically polluted fluid in the presence or absence of solids. The combination of standardized design and extreme robustness makes these pumps an ideal choice for industrial application

Note: Bearing frame of series PEZ are different compared to RDZ & KRZ series. PEZ series also do not have casing armour.



Major Clientele



Regional Sales / Service Support

Ahmedabad

Vapi

Vizag

Uttarakhand

Delhi

Bharuch

Kolkata

Bengaluru

Chennai

Hyderabad

Kerala

Baroda

Chandigarh

Pune

Kochi

Corporate Office

207, IVY Center, Jogeshwari West,
Mumbai 400 102. 022-26799777.

E: sales@leakproofpumps.com

Manufacturing Unit

E-1 AMSER Industrial Estate,
Pirojpur 385210. North Gujarat.

E: mfg@leakproofpumps.com



www.leakproofpumps.com