



Rotary Gear Pumps  
SINCE : 1993

Series : FTSS

# Perfect Solution

for Transfer of Corrosive, Hygienic  
& Viscous Liquid



www.rotofluidpumps.com  
All Stainless Steel  
ROTARY GEAR PUMPS



An ISO 9001:2015 Certified Company

**Fluid Tech Systems**

Ahmedabad - 382 430. (Guj.) INDIA

एन. एच. आई. सी.  
**NSIC**  
ISO 9001 : 2008



*“Let Our  
Quality Speak  
For Itself”*

# ADVANCED TECHNOLOGY FOR PUMPING VISCOUS LIQUID



Rotary Gear Pumps  
SINCE : 1993

**ROTOFLUID®** brand Stainless Steel Rotary Gear Pump Model-FTSS are compact, efficient, self-priming, bi-directional positive displacement pump for the transfer of corrosive chemicals, food & cosmetic and other viscous chemicals.

## MODEL & PERFORMANCE CHART

| PUMP MODEL | SUCTION & DELIVERY | CAPACITY AT 1440 RPM |        |                    | RECOMMENDED MOTOR HP        |                             |                              |
|------------|--------------------|----------------------|--------|--------------------|-----------------------------|-----------------------------|------------------------------|
|            |                    | LPM                  | US GPM | M <sup>3</sup> /hr | Up to 3 kg./cm <sup>2</sup> | Up to 7 kg./cm <sup>2</sup> | Up to 10 kg./cm <sup>2</sup> |
| FTSS - 025 | ¼" X ¼"            | 8                    | 2.1    | 0.5                | 0.25                        | 0.35                        | 0.5                          |
| FTSS - 040 | ⅜" X ⅜"            | 15                   | 3.9    | 0.9                | 0.5                         | 0.75                        | 1.0                          |
| FTSS - 050 | ½" X ½"            | 25                   | 6.6    | 1.5                | 0.5                         | 0.75                        | 1.0                          |
| FTSS - 075 | ¾" X ¾"            | 30                   | 7.9    | 1.8                | 0.75                        | 1.0                         | 1.5                          |
| FTSS - 100 | 1" X 1"            | 50                   | 13.2   | 3.0                | 1.0                         | 1.5                         | 2.0                          |
| FTSS - 125 | 1¼" X 1¼"          | 100                  | 26.4   | 6.0                | 1.5                         | 2.0                         | 3.0                          |
| FTSS - 150 | 1½" X 1½"          | 125                  | 33.0   | 7.5                | 2.0                         | 3.0                         | 5.0                          |
| FTSS - 200 | 2" X 2"            | 200                  | 52.8   | 12.0               | 3.0                         | 5.0                         | 7.5                          |
| FTSS - 250 | 2½" X 2½"          | 300                  | 79.25  | 18.0               | 5.0                         | 10.0                        | 12.5                         |

## APPLICATION INDUSTRIES

- Food & Beverages Industry
- Pharmaceutical Industry
- Dyeing & Printing Houses
- Chemical Industry
- Cosmetic Industry

## LIQUIDS CAN HANDLE

- All types of Food Products (Clarified Butter/Fruit Pulp/Vegetable Sauce/Vegetable Oil/Animal Oil/Fish Oil)
- Sugar Solution
- Glycerine, Glycol etc
- Cosmetic products (Shampoo/Body Lotion/Baby Oil/Hair Oil/Shower Gel/Soap Solution etc)
- Paints & Resins
- Corrosive Viscous Chemicals

## SALIENT FEATURES

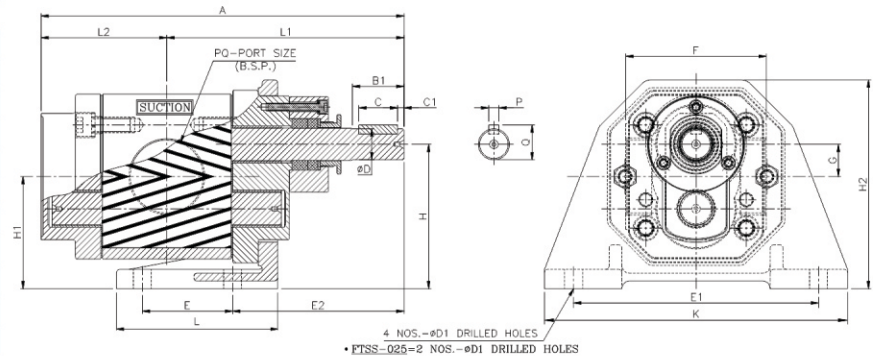
- Self-Priming
- Working Pressure upto 10Bar
- Size from ¼" to 2½" to handle flow from 8 LPM to 300LPM
- Can handle maximum viscosity 25000CST
- Designed to handle fluid at temperature upto 200°C
- Available in flange and foot mounting type.
- The gears and shaft in the pump are nitrided to give longer life & trouble free performance.
- High strength three pieces stainless steel construction in the pump makes its easily cleanable and maintainable.
- The PTFE coated bush in the pump for smooth performance in dry bearing condition.
- Bi-Directional
- Sealing options available – Gland Packing / Single Mechanical Seal / Oil Seal

## ACCESSORIES

- Stand and Base Plate
- Product Connecting Flanges
- Motor and Gear Reducers
- Variable Frequency Drives
- Electric Motor Stator
- Couplings

## MATERIAL OF CONSTRUCTION

| Parts              | Material                                   |
|--------------------|--|
| Body               | CF8M – SS-316                              |
| Front Cover        | CF8M – SS-316                              |
| Back Cover         | CF8M – SS-316                              |
| Gland Cover        | CF8M – SS-316                              |
| R.H. & L.H Gear    | AISI – SS-316                              |
| Rotor/Stator Shaft | AISI – SS-316                              |
| Bush Bearing       | Teflon Coated 'DU'                         |
| Mounting Bracket   | C.I. Grade – 20 IS 210                     |
| Sealing            | Gland Packing / Oil Seal / Mechanical Seal |
| Packing            | Teflon Sheet                               |
| Key for Coupling   | AISI SS-316                                |



## DIMENSIONAL DRAWING DETAILS

| PUMP MODEL | OVER ALL |     |       |       |     |     |     |     | MOUNTING & SHAFT |     |     |     |     |      |      |    |     |   |      | APPROX WEIGHT |      |
|------------|----------|-----|-------|-------|-----|-----|-----|-----|------------------|-----|-----|-----|-----|------|------|----|-----|---|------|---------------|------|
|            | A        | F   | G     | H2    | K   | L   | L1  | L2  | E                | E1  | E2  | H   | H1  | D    | D1   | C  | C1  | P | Q    |               | B1   |
| FTSS - 025 | 128      | 60  | 12.5  | 94    | 145 | 60  | 93  | 35  | -                | 120 | 88  | 63  | 50  | 11.5 | 8    | 17 | 3   | 4 | 13   | 25            | 3.7  |
| FTSS - 040 | 133      | 69  | 14.75 | 104   | 145 | 92  | 96  | 36  | 50               | 120 | 86  | 71  | 56  | 11.5 | 8    | 17 | 3   | 4 | 13   | 25            | 4.5  |
| FTSS - 050 | 146      | 69  | 14.75 | 104   | 145 | 92  | 103 | 43  | 50               | 120 | 86  | 71  | 56  | 11.5 | 8    | 17 | 3   | 4 | 13   | 25            | 4.7  |
| FTSS - 075 | 159      | 78  | 17    | 126   | 175 | 90  | 114 | 45  | 50               | 140 | 91  | 90  | 72  | 14   | 10.5 | 25 | 3.5 | 5 | 16   | 32            | 6.6  |
| FTSS - 100 | 175      | 78  | 17    | 126   | 175 | 90  | 122 | 53  | 50               | 140 | 91  | 90  | 72  | 14   | 10.5 | 25 | 3.5 | 5 | 16   | 32            | 7    |
| FTSS - 125 | 212      | 96  | 20.5  | 144.5 | 190 | 100 | 144 | 68  | 50               | 153 | 110 | 100 | 80  | 18   | 12   | 30 | 3   | 6 | 20.5 | 38            | 11   |
| FTSS - 150 | 226      | 96  | 20.5  | 144.5 | 190 | 100 | 151 | 75  | 50               | 153 | 110 | 100 | 80  | 18   | 12   | 30 | 3   | 6 | 20.5 | 38            | 12.5 |
| FTSS - 200 | 282      | 109 | 25    | 162   | 235 | 125 | 184 | 98  | 70               | 190 | 133 | 112 | 88  | 24   | 14   | 30 | 5   | 8 | 27   | 40            | 20   |
| FTSS - 250 | 326      | 128 | 30    | 190   | 260 | 150 | 219 | 107 | 85               | 200 | 165 | 132 | 102 | 28   | 16   | 40 | 5   | 8 | 31   | 50            | 30   |

\* All dimensions are in millimeters. Unless otherwise stated, specifications are subject to change without prior notice as improvements are made from time to time.

Mfgd. by :

An ISO 9001:2015 Certified Company



**Fluid Tech Systems**

Ahmedabad - 382 430. (Guj.) INDIA  
E-mail : info@rotofluidpumps.com, marketing@rotofluidpumps.com  
Website : www.rotofluidpumps.com

Distributor :