

Non-clogging Pump

STERLING

DBS 3216...30040

TECHNICAL DATA

Output:	up to 1200 m ³ /h
Delivery head:	up to 100 m
Speed:	up to 3600 rpm depending of the pump size and material execution
Medium temperature:	max. 110 °C
Casing pressure:	10 bar
Shaft sealing:	stuffing box or mechanical seal
Flange connections:	PN 10
Sense of rotation:	clockwise, when seen from the drive on the pump

APPLICATION

Series DBS volute-casing pumps can be used where the requirement is for pumping dirty liquids or liquids with solids.

Sewage plants:	Storm water, pre-filtered sewage, industrial effluents
Chemical plants:	Chemical effluents, brines and lies, milk of lime, crystal sludge, filter material, plastic suspensions
Rolling mills:	Scale-contaminated water from steel and copper rolling mills
Foundries and iron and steel works:	Effluents and sludges from dust and arrestor plants
Construction industry:	Mixtures of water and cement and water from excavation ditches
Paper and cellulose pulp industry:	Paper, chemical pulp and mechanical suspensions up to 6% absolutely dry
Sugar mills:	Carbonation juice, concentrated juice, milk of lime
Food industry:	Thick mash, fruit and potato slices (parings)

DESIGN

Process type, single-stage, volute casing pumps with design features and nominal rating to ISO2858/EN22858 and enlarged sizes

The process design permits dismantling of the complete bearing unit towards the drive end, without the pump casing having to be disconnected from the piping. If a spacer coupling is used it is also unnecessary to disconnect the motor.

CONSTRUCTION

Casing pressure: Max. 10 bar between -10 °C and +120 °C
Please note: Casing pressure = Inlet pressure + shut off head.
Max. test pressure 16 bar

Branch positions:

Suction branch axial, discharge branch radial upwards.



Flanges:

Connection dimensions of flanges DIN 2501 PN 10 .
Flanges can be supplied drilled to ANSI
Optional the pump can be supplied with a flange adapter
piece on the suction side (see sectional drawing, pos. 72.20)

Bearings:

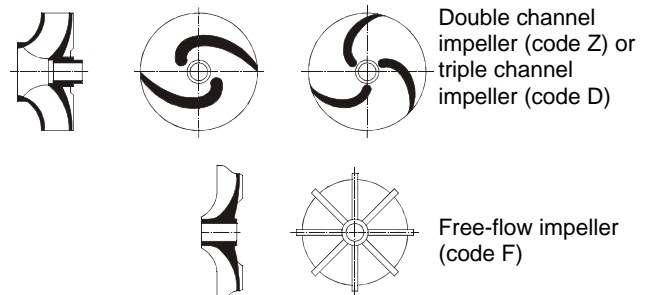
Execution B:
Pump end: one cylindrical roller bearing to DIN 5412
Drive end: one deep groove ball bearing to DIN 625
The bearings are grease lubricated

Execution C:
Pump end: one cylindrical roller bearing to DIN 5412
Drive end: one deep groove ball bearing to DIN 625
The bearings are oil lubricated

Execution S:
Pump end: one cylindrical roller bearing to DIN 5412
Drive end: two angular contact ball bearings in O-
arrangement.
The bearings are grease lubricated

Execution T:
Pump end: one cylindrical roller bearing to DIN 5412
Drive end: two angular contact ball bearings in O-
arrangement.
The bearings are oil lubricated

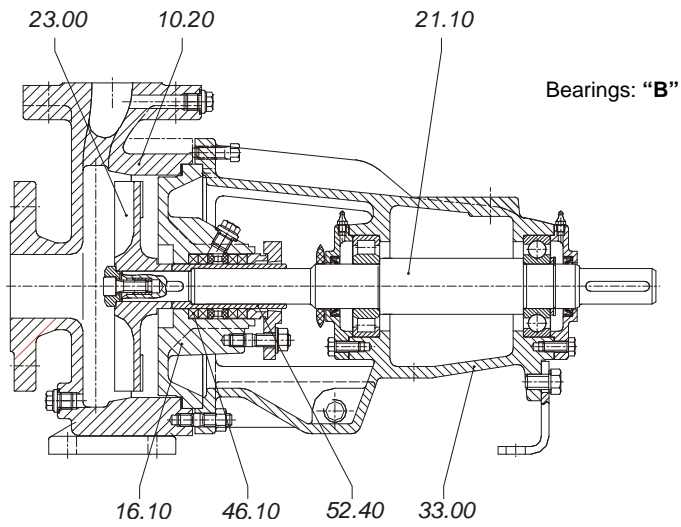
Shapes of impellers:



If required, the sealing clearance gap on the suction side of pumps fitted with double and triple channel and wear plates can be arranged for flushing.

SECTIONAL DRAWINGS AND PARTS LIST

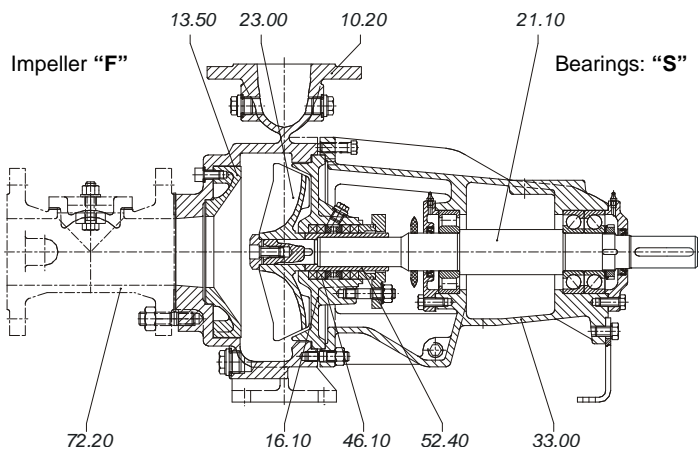
Only for DBSA 3216F and DBSA 3220F
(without wear plate)



- 10.20 Casing
- 16.10 Casing cover
- 33.00 Bearing bracket
- 21.10 Shaft
- 23.00 Impeller
- 46.10 Stuffing box
- 52.40 Shaft sleeve

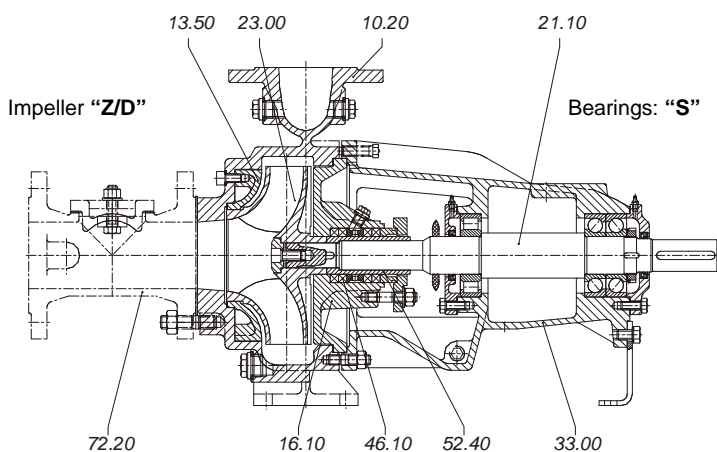
Shaft sealing design 052

Remaining pumps sizes

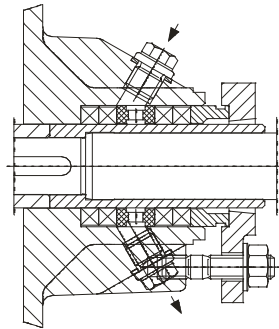


- 10.20 Casing
- 13.50 Wear plate
- 16.10 Casing cover
- 33.00 Bearing bracket
- 21.10 Shaft
- 23.00 Impeller
- 46.10 Stuffing box
- 52.40 Shaft sleeve
- 72.20 Adapter piece

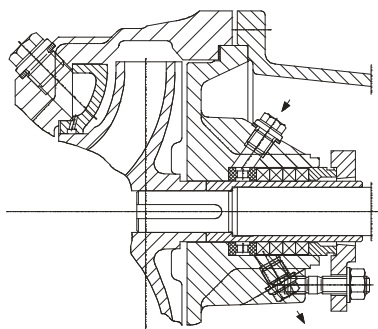
Shaft sealing design 052



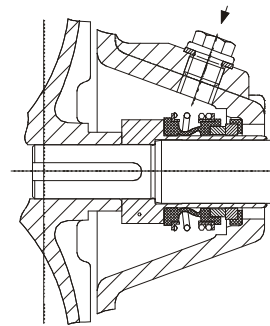
Types of shaft sealings



Designation 051: Uncooled stuffing box with external sealing and flushing. Temperature range: -10°C to 110°C

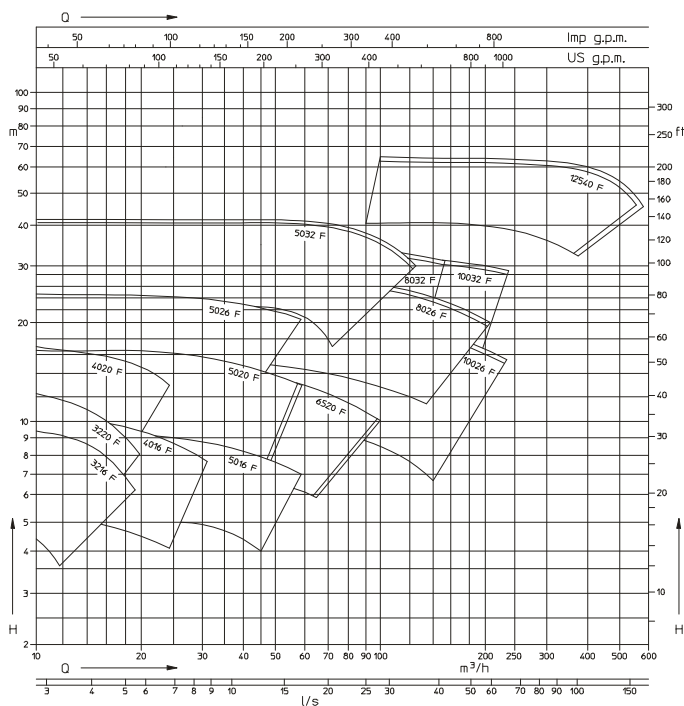


Designation 071: Uncooled stuffing box with flushing upstream of packing and flushing between wear plate and impeller. Temperature range: -10°C to 110°C



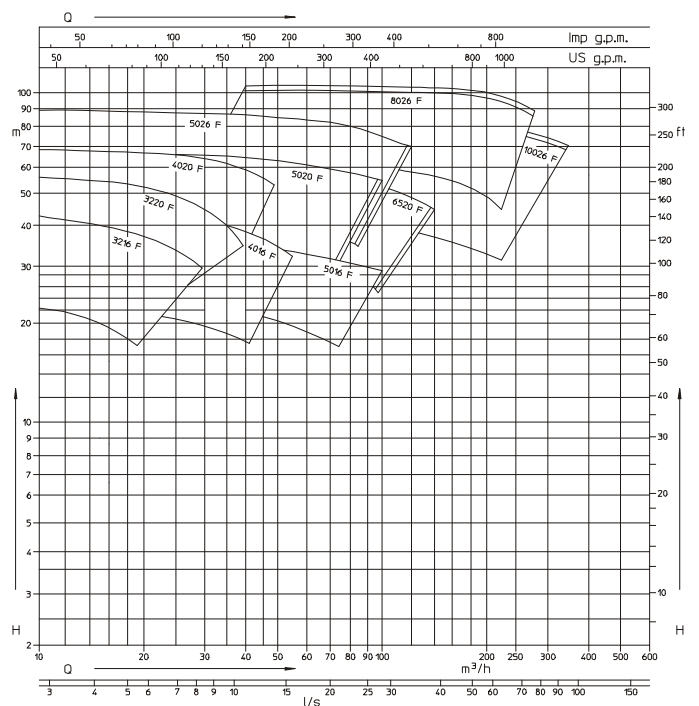
Mechanical seal

PERFORMANCE GRAPHS



Shaft unit			
35	45	55	65

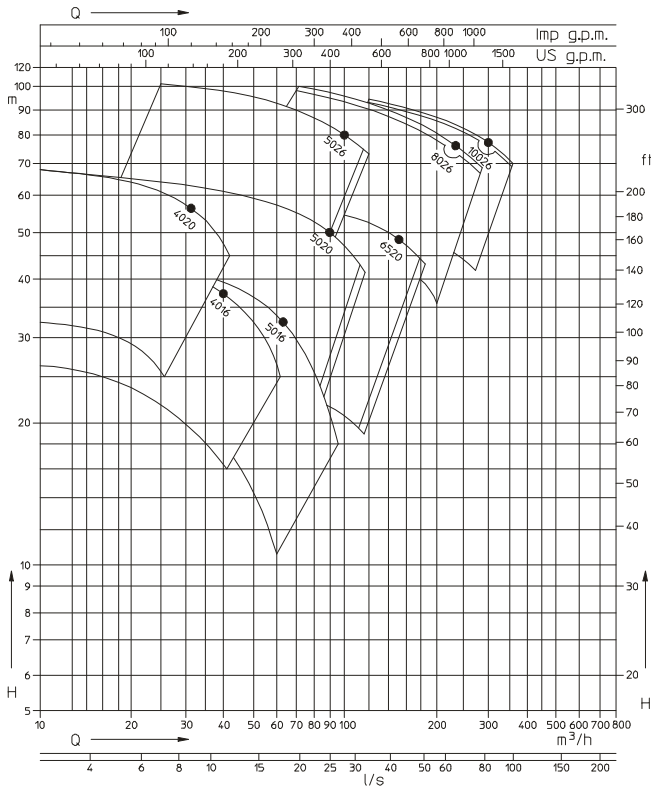
Pumps with free flow impeller "F"
1450 rpm



Shaft unit			
35	45	55	65

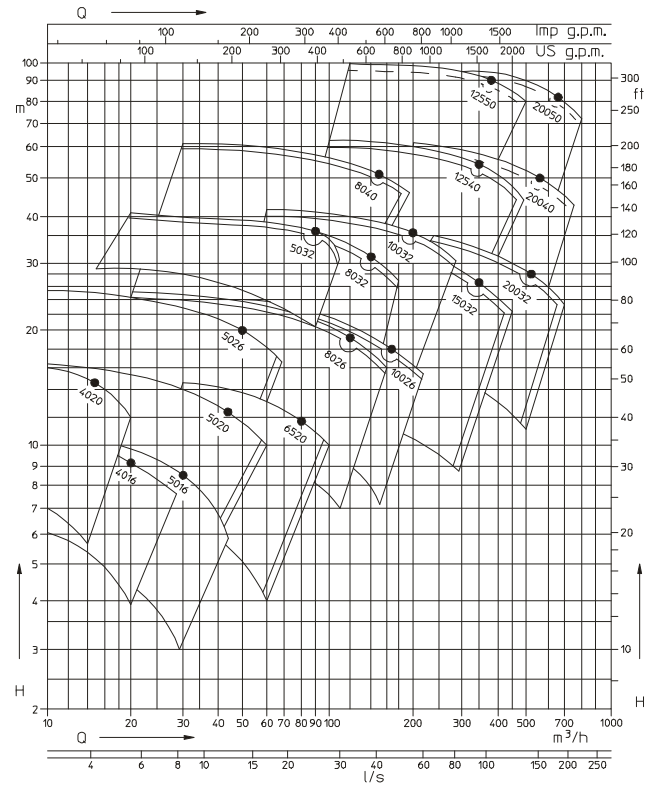
2900 rpm

Pumps with channel impeller, double (Z) respectively triple (D)



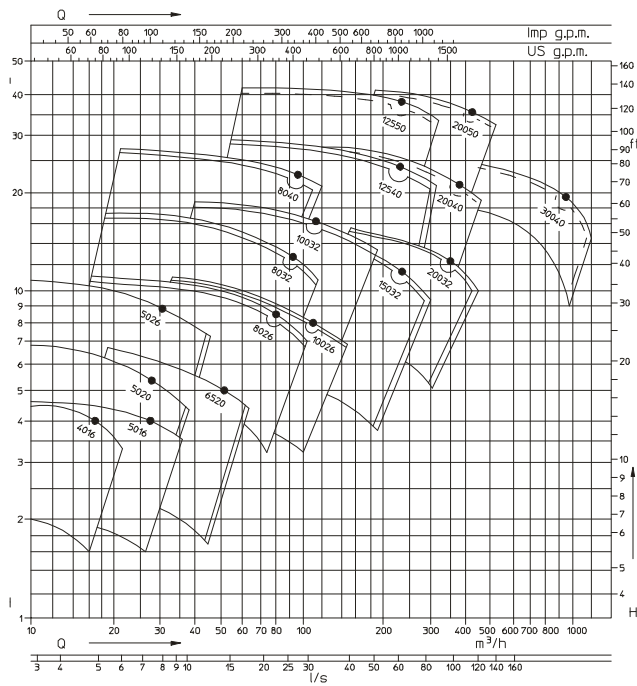
Shaft unit		
35	45	55

2900 rpm



Shaft unit				
35	45	55	65	75

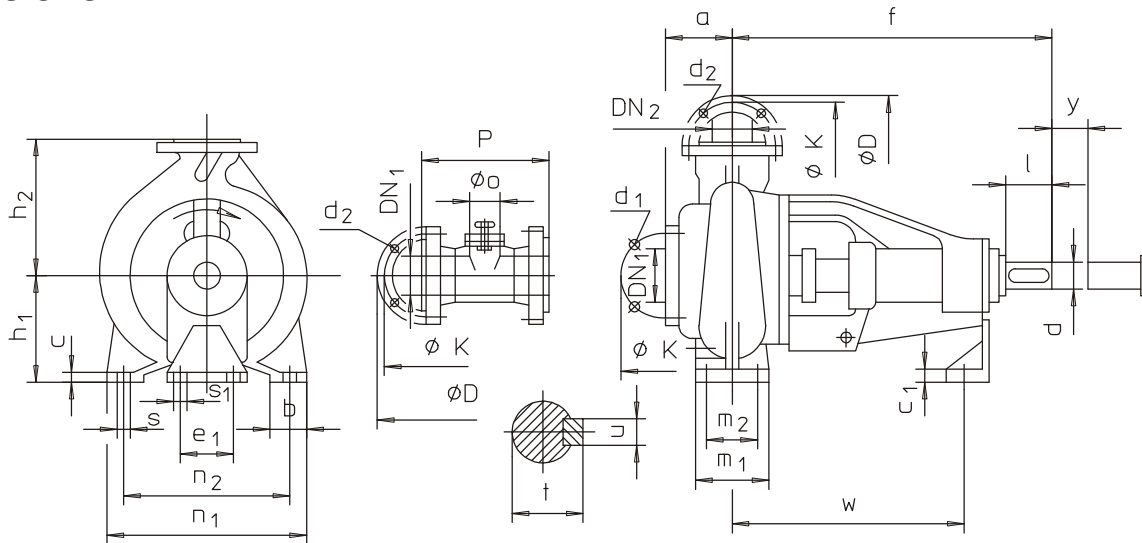
1450 rpm



Shaft unit					
35	45	55	65	75	90

960 rpm

DIMENSIONS



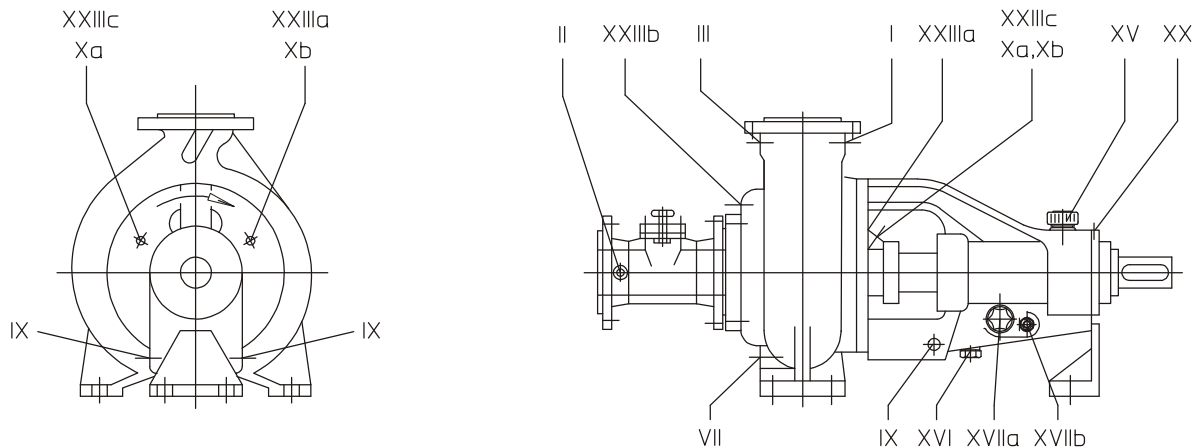
Dimensions in mm

Size	Bearing	Pumps dimensions						Foot dimensions										Shaft end				Spa	1)			
		DN2	DN1	a	f	h1	h2	b	c	c1	e1	m1	m2	n1	n2	s	s1	w	d	l	t		u	y	o	P
3216	35	32	50	80	425	132	160	50	14	6	100	70	240	190	14	15	315	28	60	31	8	140	80	200	-	-
3220					420	160	180									13	310									
4016	35	40	50	90	405	160	180	50	14	6	100	70	240	190	14	13	295	28	60	31	8	140	80	200	-	-
4020					410	160	200										300									
5016	35	50	65	100	405	160	200	50	14	6	100	70	240	190	14	13	295	28	60	31	8	140	80	200	-	-
5020	45			112	500	180	15										315									
5026	45	50	65	125	500	200	250	50	14	6	100	70	240	190	14	15	370	28	60	31	8	140	80	200	-	-
5032	55			140	550	225	280										14									
6520	45	65	80	125	500	180	225	50	14	6	100	70	240	190	14	13	370	28	60	31	8	140	80	200	-	-
8026	55	130		550	225	280	14										370									
8032	55	80	100	125	550	250	315	50	14	6	100	70	240	190	14	14	370	28	60	31	8	140	80	200	-	-
8040	65			670	280	355	80										18									
10026	55	100	125	140	550	225	280	50	14	6	100	70	240	190	14	14	370	28	60	31	8	140	80	200	-	-
10032					250	315	48										110									
12540	65	125	150	170	670	315	400	50	14	6	100	70	240	190	14	18	500	28	60	31	8	140	80	200	-	-
12550	75				720	355	450										65									
15032	65	150	200	200	670	280	400	50	14	6	100	70	240	190	14	22	500	28	60	31	8	140	80	200	-	-
20032					315	450	55										110									
20040	75	200	200	200	720	355	500	50	14	6	100	70	240	190	14	18	500	28	60	31	8	140	80	200	-	-
20050					400	530	65										140									
30040	Dimensions on request																									

Dimensions connections flanges according to DIN 2501 PN - 10									
DN1/DN2	32	40	50	65	80	100	125	150	200
∅ D	140	150	165	185	200	220	250	285	340
∅ k	100	110	125	145	160	180	210	240	295
d1 x number	-	- *) 18 x 4	M 16 x 4 *) 18 x 4	M 16 x 4	M 16 x 8	M 16 x 8	M 16 x 8	M 20 x 8	M 20 x 8
d2 x number	18 x 4	18 x 4	18 x 4	18 x 4	18 x 8	18 x 8	18 x 8	22 x 8	22 x 8

*) Only for sizes 32...

TABLE OF CONNECTIONS



Code	Connections	For version with	
		Grease	Oil
I	Pressure gauge connection		
II	Pressure/vacuum gauge connection		
III	Vent		
VII	Drain		
IX	Drip and leakage connection		
Xa	Inlet connection for sealing liquid	External sealing	
Xb	Outlet connection for sealing liquid	External sealing	
XV	Oil filling		X
XVI	Oil drain		X
XVIIa	Oil level sight glass		X
XVIIb	Constant level oiler connection		X
XX	Grease nipple	X	
XXIIIa	Flushing liquid connexion for shaft seal	Flushing before packing	
XXIIIb	Flushing liquid connexion for wear plate	Flushing of wear plate	
XXIIIc	Seal flushing	External sealing	

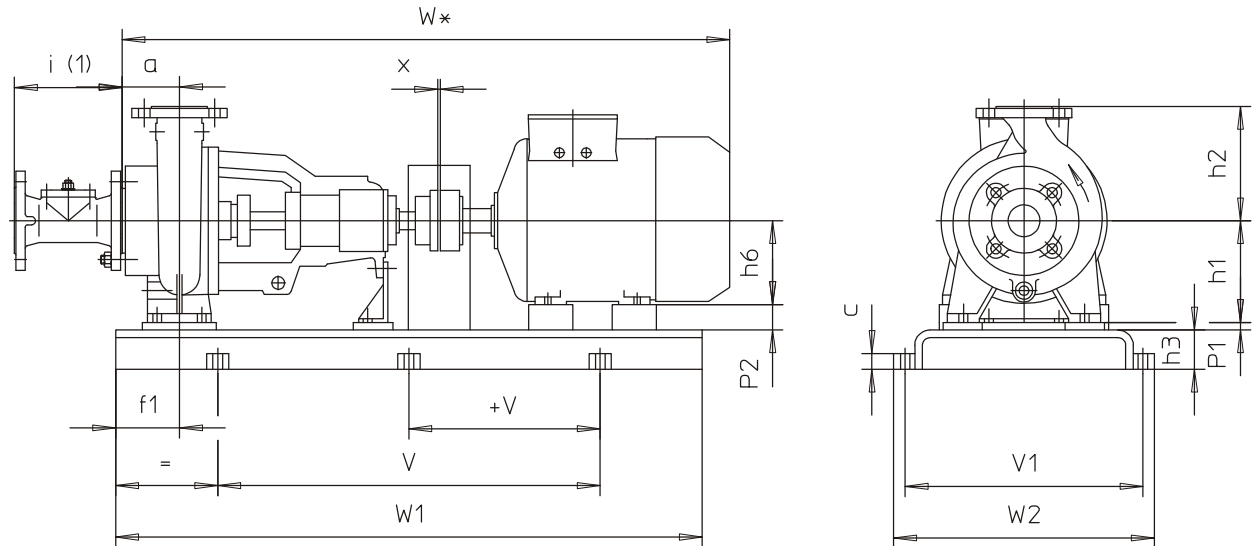
Dimensions of connections

Code	Pumps with shaft unit										90
	35		45		55		65		75		
	Standard type	Special type	Standard type	Special type	Standard type	Special type	Standard type	Special type	Standard type	Special type	
I	G 1/2" ⁽⁴⁾		G 1/2"		G 1/2"		G 1/2"		G 1/2"		
II	Without hole	G 1/2"	Without hole	G 1/2"	Without hole	G 1/2"	Without hole	G 1/2"	Without hole	G 1/2"	
III	G 1/2" ⁽⁵⁾		G 1/2"		G 3/4"		G 1" ⁽³⁾		G 1"		
VII	G 1/2" ⁽⁶⁾		G 1/2" ⁽¹⁾		G 1" ⁽²⁾		G 1" ⁽³⁾		G 1"		
IX	G 1/2"		G 1/2"		G 1/2"		G 3/4"		G 3/4"		
Xa	G 1/4"		G 1/4"		G 1/4"		G 3/8"		G 3/8"		
Xb	G 1/4"		G 1/4"		G 1/4"		G 3/8"		G 3/8"		
XV	Ø 20		Ø 20		Ø 20		Ø 20		Ø 20		
XVI	G 1/4"		G 1/4"		G 1/4"		G 1/4"		G 1/4"		
XVIIa	G 3/4"		G 3/4"		G 3/4"		G 3/4"		G 1"		
XVIIb	G 1/4"		G 1/4"		G 1/4"		G 1/4"		G 1/4"		
XX	M6		M6		M6		M6		M6		
XXIIIa	G 1/4"		G 1/4"		G 1/4"		G 3/8"		G 3/8"		
XXIIIb	G 1/2"		G 1/2"		G 1/2"		G 1/2"		G 1/2"		
XXIIIc	G 3/8"		G 1/2"		G 1/2"		G 1/2"		G 1/2"		

On request

- 1) G 3/4" in 6520
- 2) G 3/4" in 5032, 8026 and 8032
- 3) G 3/4" in 8040
- 4) G 1/4" in 3216 and 3220
- 5) Pumps 3216, 3220 not drilled
- 6) G 1/4" in 3216 and 3220

Foundation Plan



n=2900 rpm

Dimensions in mm., general tolerances (bedplates) for cast parts to DIN 1686/GTB 17, for welded parts to DIN 8570 B

Pump size	Motor		Base-plate	Coupling	Pump-motor references										Base-plate references								Bolts	Weight set							
	Size	kw.			a	i (2)	h1	h2	h6	f1	W *	W1	V	+V	V1	W2	h3	P1	P2	c	x										
3216	90 S	1,5	S 272	B-68	80	132	160	90	80	841	820	540	320	360	65	42	25	M16x250	88												
	90 L	2,2	S 017					100	180	882	1100	700							325	361	60	32	20	M12x150	91						
	100 L	3	S 303																						132	80	963	920	600	350	390
	112 M	4						111																							
3220	132 S	5,5	S 303	B-95	80	180	180	100	180	877	1100	700	325	361	60	60	48	M12x150	125												
	132 S	7,5	S 344					132	80	958	920	600							350	390	65	28	M16x250	135							
	100 L	3																						S 017	112	180	898	1100	700	325	361
	112 M	4	118																												
4016	132 S	5,5	S 303	B-95	80	180	180	100	70	872	820	540	320	360	65	60	48	M16x250	132												
	160 M	11	S 344					132	90	1087	1020	660							400	450	80	—	30	M20x400	142						
	100 L	3																							S 272	112	70	893	820	540	320
	112 M	4	184																												
4020	132 S	5,5	S 303	B-95	90	160	160	100	70	872	820	540	320	360	65	70	60	48	M16x250	99											
	160 M	11	S 344					132	90	1087	1020	660								400	450	80	—	30	M20x400	106					
	100 L	3																								S 272	112	70	893	820	540
	112 M	4	136																												
	5016	132 S	5,5					S 303	B-95	100	200	200								100	70	872	820	540	350	390	65	48	28	M16x250	165
		160 M	11					S 344												132	90	1097	1020	660							400
100 L		3	S 272	112	130	903	920						600	350	390	65	28	25	M16x250												
112 M		4						117																							
5020		132 S	5,5	S 344	B-95	112	200	180					112	65	1010	920	600	350	390	65	68	25	M16x250	135							
		160 M	11	S 385									132	100	1204	1140	740							440							490
	160 L	18,5	S 436						180	100	1328	1270													840	440	490	80	20	30	
	180 M	22		219																											
	5026	200 L	30	S 436					B-125	125	200	250	200	125	1386	1270	840							490	540	80	25	40	M24x400	236	
		160 M	11	S 385									160	90	1217	1140	740													440	490
160 L		18,5	S 385		180	90	1341	1270										840	440	490	80	20	30								
180 M		22		240																											
5026		200 L	30	S 436	B-125	125	200	250					200	125	1399	1270	840	490	540	100	25	50	M24x400							257	
		225 M	45	S 486									225	110	1406	1250	840													550	610
	250 M	55	S 607	250					140	1559	1400	940												670	730	100	50	M24x400	336		
	359																														

Dimensions for motor with enclosure IP-55 , make of motor to our choice

(1) Intermediate piece optional

Foundation Plan

n=2900 rpm

Dimensions in mm.;general tolerances (bedplates) for cast parts to DIN 1686/GTB 17,for welded parts to DIN 8570 B

Pump size	Motor		Base-plate	Coupling	Pump-motor references							Base-plate references										Bolts	Weight set															
	Size	kW.			a	i (2)	h1	h2	h6	f1	W *	W1	V	+V	V1	W2	h3	P1	P2	c	x																	
6520	132 S	7,5	S 385	B-95	125	200	180	225	132	155	1083	1140	740	—	440	490	80	—	48	30	—	30	M20x400	194														
	160 M	11							160	90	1217								20					20	226													
	160 L	15							180	1341	20								—					226														
	180 M	22	200	1399					1270	20	—								257																			
	200 L	30	S 436	B-125					225	110	1406								840					—	490	540	20	—	40	—	45	45	40	—	40	—	M24x400	322
	180 M	22							180	130	1396																											1250
8026	200 L	30	S 487	B-125	130	250	225	280	200	185	1454	1420	940	—	550	610	100	—	25	35	—	40	M24x400	384														
	225 M	45							225	175	1461								250					120	1614	1400	25	—	40	657								
	250 M	55							S 607	B-140	280								—					1689	1800	1420	710	700	750	140	85	30	20	887				
	280 S	75	180x75x14	B-160					315	185	1794								1900					1520	760	770	820	120	120	—	1127							
	280 M	90	190x82x14	B-160					140	250	225	280	280	—	1699	1800	1420	710	700	750	140	85	30	20	—	M16x250	927											
	315 S	110											200	—	1464								1420				940	—	550	610	100	—	25	35	403			
	200 L	30											S 487	B-125	225	175	1471	1400	—	550	610	100	—	25	—	40	—	40	—	M24x400	426							
	225 M	45	250	120											1624	1400	670														730	25	—	40	672			
10026	280 S	75	S 607	B-140	140	250	225	280					280	185	1699	1800	1420	710	700	750	140	85	30	20	—	M16x250	902											
	280 M	90											180x75x14	B-160	315								185				1804	1900	1520	760	770	820	120	120	—	942		
	200 L	30	S 487	B-125									140	250	225	280	200	—	1464	1420	940	—	550	610	100	—	25	35	—	M24x400	455							
	225 M	45															225	175	1471								1400				670	730	25	—	40	672		
280 S	75	S 607	B-140	140	250	225	280	280	185	1699	1800	1420					710	700	750	140	85	30	20	—	M16x250	942												
280 M	90							180x75x14	B-160	315												185				1804	1900	1520	760	770	820	120	120	—	1142			
315 S	110	190x82x14	B-160					315	185	1804	1900	1520	760	770	820	120	120	—	1142																			

Dimensions for motor with enclosure IP-55 , make of motor to our choice

(1) Intermediate piece optional

Foundation Plan

n=1450 rpm

Dimensions in mm..general tolerances (bedplates) for cast parts to DIN 1686/GB 17.for welded parts to DIN 8570 B

Pump size	Motor		Base-plate	Cou-pling	Pump-motor references							Base-plate references										Bolts	Weight set																																											
	Size	kW.			a	i (2)	h1	h2	h6	f1	W *	W1	V	+V	V1	W2	h3	P1	P2	c	x																																													
6520	90 L	1,5	S 385	B-80	125	200	180	225	90	215	961	1140	740	440	490	80			90	30		M20x400	156																																											
	100 L	2,2							100	180	1002								80				164																																											
	112 M	3		112					1023	68	166																																																							
	132 S	5,5		132					150	1083	48								171																																															
	132 M	7,5																	186																																															
8026	100 L	3	S 486	B-110	130		225	280	100	225	1057	1250	840						125	40		227																																												
	112 M	4							112	215	1078								113			232																																												
	132 S	5,5							132	180	1138								93			246																																												
	132 M	7,5							160	140	1272								65			257																																												
	160 M	11							180	1396	45								277																																															
	160 L	15							132	180	1133								118			294																																												
	180 M	18,5							160	140	1267								90			313																																												
	132 S	5,5							180	1391	70								289																																															
	132 M	7,5							200	180	1449								50			300																																												
	160 M	11																				320																																												
8032	160 L	15	S 487		125	250	315	160	140	1267	1420	940							90		M24x400	320																																												
	180 M	18,5						180	140	1391									70			337																																												
	180 L	22						200	180	1449									50			356																																												
	200 L	30																				392																																												
																						436																																												
8040	160 M	11	S 538	B-125	250	280	355	160	250	1402	1620	1060	—	600	660	100	—		120	35		455																																												
	160 L	15						180	180	1526									100			472																																												
	180 M	18,5						200	160	1584									80			491																																												
	180 L	22		225				140	1621	55									505																																															
	200 L	30																	549																																															
	225 S	37																	594																																															
	225 M	45																	614																																															
10026	112 M	4	S 486	B-110	140	225	280	112	220	1088	1250	840							113	40		247																																												
	132 S	5,5						132	190	1148									93			261																																												
	132 M	7,5						160	130	1282									65			272																																												
	160 M	11						180	110	1406									45			292																																												
	160 L	15						180	110	1406									70			309																																												
	180 M	18,5						132	190	1148									118			328																																												
	180 L	22						160	110	1282									90			342																																												
10032	132 M	7,5	S 487	B-110	250	315	132	190	1148	1420	940								90		M24x400	296																																												
	160 M	11					180	110	1406										70			316																																												
	160 L	15					200	140	1464										50			333																																												
	180 M	18,5					225	150	1501										25			352																																												
	180 L	22																				388																																												
	200 L	30																				432																																												
	225 S	37																				478																																												
12540	180 M	18,5	S 607	B-125	170	280	355	450	180	130	1556	1950	1570	785	700	750	140	30				505																																												
	180 L	22							200	160	1614											115	519																																											
	200 L	30	225	170					1651	90	580																																																							
	225 S	37	250	150					1774	65	626																																																							
	225 M	45	280	220					1849	1950	1570											785	700	750	140	30	65	20	1093																																					
	250 M	55																											1143																																					
	280 S	75																											1232																																					
	280 M	90																											1282																																					
	200 L	30																											1479																																					
	225 S	37																											1559																																					
12550	225 M	45	S 608	B-160	170	280	355	450	225	150	1701	1600	1060	—	670	730	100	—				788																																												
	250 M	55							250	130	1824											105	988																																											
	280 S	75	200x75x14	B-180					170	280	355											450	280		1899	2000	1580	790	700	750						1232																														
	280 M	90																					315	220	2034											2150	1730	865	770	820	140	30	115	20	1282																					
	315 S	110	215x82x14	B-200																			170	280	355											450	315		2174	2300	1840	920								1479																
	315 M	132																																			200	200	1614											1400	940	70	20	1559												
	315 L	160	230x82x14																																		170	280	355											450	132		1298	1250	840									1715		
	160 M	11																																																	160	130	1432											1400	940	148
	160 L	15	180	180																																															1556	1400	940											100	40	410
	180 M	18,5	200	200																																															1614	1600	1060											100	40	443
180 L	22	225	180	1651	1600	1060	100	40				460																																																						
200 L	30											479																																																						
225 S	37								493																																																									
225 M	45								554																																																									
									600																																																									
									620																																																									

Dimensions for motor with enclosure IP-55 , make of motor to our choice

(1) Intermediate piece optional

Foundation Plan

n=1450 rpm

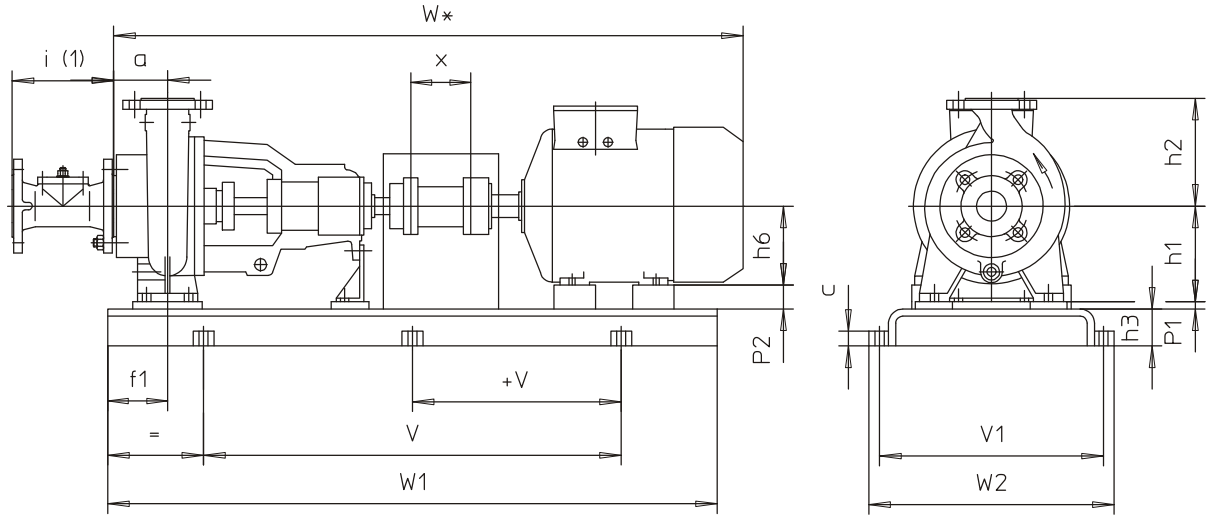
Dimensions in mm.,general tolerances (bedplates) for cast parts to DIN 1686/GTB 17,for welded parts to DIN 8570 B

Pump size	Motor		Base-plate	Coupling	Pump-motor references							Base-plate references										Bolts	Weight set					
	Size	kw.			a	i (2)	h1	h2	h6	f1	W *	W1	V	+V	V1	W2	h3	P1	P2	c	x							
20032	160 L	15	S 607	B-125	200	300	315	450	160		1462	1400	940	—	670	730	100	—	155	40	M24x400	483						
	180 M	18,5							180	130	1586								135			502						
	180 L	22							200	200	1644								115			516						
	200 L	30	S 608	B-140					225	180	1681	1600	1060	90	623													
	225 S	37							250	130	1804	65	845															
	225 M	45							280	260	1879	2000	1580	790	700	750	140	30	20	1091								
	250 M	55							200x75x14	B-180	180	130	1636	1600	1060	—	670	730	100	—		175	40	M24x400	635			
	280 S	75									200	200	1694									155			679			
20040	180 L	22	S 608	B-160	200	300	355	500	180	130	1636	1600	1060	—	670	730	100	—	130	40	M24x400	724						
	200 L	30							225	160	1731								105			744						
	225 S	37							250	130	1854								180			1929	2050	1630	815	700	750	105
	225 M	45	205x75x14	B-180					280		260	2050	1630	815	700	750	140	30	180	20		M16x250	1098					
	250 M	55							315	260	2064								2200				1740	870	770	820	70	1241
	280 S	75							250	300	1854								2204				2300	1840	920	150	1327	
	280 M	90							220x82x14	B-200	315	250	2204	2300	1840	920	180	1671										
	315 S	110									280		1929	2050	1630	815	750	800	140	30		150	1277					
20050	315 M	132	230x82x14	B-200	200	300	400	530	260		2064	2200	1740	870	770	820	140	30	115	20	M16x250	1523						
	315 L	160							315	250	2204								2300			1840	920	150	1327			
	250 M	55	205x80x14	B-180					280		1929								2050			1630	815	750	800	140	30	180
	280 S	75							315	260	2064	2200	1740	870	770	820	70	1241										
	280 M	90							250	300	1854	2204	2300	1840	920	150	1327											
	315 S	110	220x82x14	B-200					315		2064	2200	1740	870	770	820	140	30	115	1523								
315 M	132	250							2204	2300	1840	920	115	1757														
315 L	200	230x82x14	B-200	250						2204	2300	1840	920	115	1757													
200	250			2204	2300	1840	920	115	1897																			

Dimensions for motor with enclosure IP-55 , make of motor to our choice

(1) Intermediate piece optional

Foundation Plan for units with spacer type coupling



n=2900 rpm

Dimensions in mm., general tolerances (bedplates) for cast parts to DIN 1686/ GTB 17, for welded parts to DIN 8570 B

Pump size	Motor		Base-plate	Coupling	Pump-motor references								Base-plate references								Bolts	Weight set										
	Size	kW.			a	i (2)	h1	h2	h6	f1	W *	W1	V	+V	V1	W2	h3	P1	P2	c			x									
3216	90 S	1,5	S 017	H-80	80	132	160	90	977	1100	700	325	361	60	42	25	M12x150	95														
	90 L	2,2						100	1018									105	32	98												
	100 L	3						112	1039									105	20	105												
	112 M	4						132	80									1099	1020	660	—	30	M20x400	135								
132 S	5,5	S 344	H-95	132				80	1099	1020	660	400	450	80	—	30	M20x400	145														
132 L	7,5			100				1013	112	110	1034	1100	700	325	361	60	60	25	M12x150	112												
3220	100 L	3	S 017	H-80				180	160	100	110	1013	1100	700	325	361	60	28	30	M20x400	112											
	112 M	4																			132	80	1094	1020	660	400	450	80	28	30	M20x400	142
	132 S	5,5	S 344	H-95	132	80	1094														1020	660	400	450	80	28	30	M20x400	152			
	132 L	7,5			160	160	1228														1140	740	440	490	—	—	—	—	—	—	190	
160 M	11	S 385	H-95	160	160	1228	1140														740	440	490	—	—	—	—	—	—	—	203	
160 L	15			100	125	1008	1100														700	325	361	60	60	25	M12x150	105				
4016	100 L	3	S 017	H-80	—	180	100														112	125	1008	1100	700	325	361	60	48	25	M12x150	112
	112 M	4																														132
	132 S	5,5						S 344	H-95	132	75	1089	1020	660	400	450	80	28	30	M20x400												147
	132 L	7,5								160	160	1223	1140	740	440	490	—	—	—	—												—
160 M	11	S 385	H-95	160				160	1223	1140	740	440	490	—	—	—	—	—	—	—												196
160 L	15			90				90	967	1100	700	325	361	60	70	25	M12x150	108														
4020	90 L	2,2	S 017	H-80				90	160	100	125	1008	1100	700	325	361	60	—	25	M12x150												112
	100 L	3																														100
	112 M	4			132	75	1089														1020	660	400	450	80	28	30	M20x400	146			
	132 S	5,5			S 344	H-95	132														75	1089	1020	660	400	450	80	28	30	M20x400	156	
132 L	7,5	160	160	1223			1140														740	440	490	—	—	—	—	—	193			
160 M	11	S 385	H-95	160	160	1223	1140														740	440	490	—	—	—	—	—	—	—	206	
160 L	18,5			112	110	1039	1020														660	400	450	80	48	25	M12x150	122				
5016	112 M	4	S 344	H-80	100	200	112														110	1039	1020	660	400	450	80	28	30	M20x400	128	
	132 S	5,5						132	75	1099	1020	660	400	450	80	28	30	M20x400	142													
	132 L	7,5						160	160	1233	1140	740	440	490	80	—	—	—	—	—											152	
	160 M	11						S 385	H-95	160	160	1233	1140	740	440	490	80	—	—	—											—	—
160 L	18,5	112	125	1146						1140	740	440	490	80	68	25	M12x150	202														
160 L	18,5	S 385	H-95	160				160	1233	1140	740	440	490	80	—	—	—	—	—	—											219	
112 M	4			112				125	1146	1140	740	440	490	80	68	25	M12x150	165														
5020	132 S	5,5	S 344	H-80				112	200	112	125	1146	1140	740	440	490	80	48	30	M20x400											178	
	132 L	7,5			132	90	1206														1270	840	490	540	80	20	30	M20x400	188			
	160 M	11			S 436	H-95	160														90	1340	1270	840	490	540	80	20	30	M20x400	220	
	160 L	18,5					180														180	1464	1420	940	550	610	100	20	35	M24x400	233	
180 M	22	S 487	H-110	180	130	1522	1420														940	550	610	100	20	35	M24x400	250				
180 L	22			200	200	1522	1420														940	550	610	100	20	35	M24x400	265				
200 L	30	S 487	H-125	200	130	1522	1420														940	550	610	100	20	35	M24x400	348				
200 L	30			200	250	1477	1270														840	490	540	80	—	40	30	M20x400	241			
5026	160 M	11	S 436	H-95	125	200	250	160	90	1353	1270	840	490	540	80	—	40	30	254													
	160 L	18,5																	180	180	1477	1270	840	490	540	80	—	20	30	M20x400	271	
	180 M	22																	S 487	H-110	180	130	1535	1420	940	550	610	100	25	35	M24x400	286
	180 L	22																			200	200	1535	1420	940	550	610	100	25	35	M24x400	369
200 L	30	S 487	H-125	200															130	1535	1420	940	550	610	100	25	35	M24x400	392			
225 M	45			225															125	1542	1600	1060	670	730	100	50	40	40	M24x400	421		
250 M	55	S 608	H-140	250															160	1695	1600	1060	670	730	100	50	40	40	M24x400	657		

Dimensions for motor with enclosure IP-55 , make of motor to our choice

(1) Intermediate piece optional

Foundation Plan for units with spacer type coupling

n=2900 rpm

Dimensions in mm.,general tolerances (bedplates) for cast parts to DIN 1686/GTB 17,for welded parts to DIN 8570 B

Pump size	Motor		Base-plate	Coupling	Pump-motor references							Base-plate references										Bolts	Weight set		
	Size	kW.			a	i (2)	h1	h2	h6	f1	W *	W1	V	+V	V1	W2	h3	P1	P2	c	x				
6520	132 S	7,5	S 385	H-95	125	200	180	225	132	115	1219	1140	740	440	490	80	—	48	30	30	M20x400	195			
	160 M	11	S 436						H-110	160	90	1353	1270									840	490	540	20
	160 L	18,5		H-125						180		1477											257		
	180 M	22							H-110	200	135	1535											272		
	200 L	30		H-125						225	125	1542											355		
	225 M	45	H-110						225	150	1532	1420	940	—	550		610	100				45	407		
180 M	22	S 487		H-125	130	250	225	280	180	105	1590										341				
200 L	30		H-140						200	105	1590														391
225 M	45			H-160					225		1597														414
250 M	55		H-140						250	155	1750	1600	1060		670	730									443
280 S	75			H-160					280	185	1825	1950	1570	785	700	750	140	85	30	20					674
280 M	90		H-160						315		1930	2050	1630	815	770	820	140	120	30	20					907
315 S	110	S 608		H-125	140	250	225	280	315												M16x250	947			
200 L	30		H-140						200	105	1600	1420	940	—	550	610	100	—	25	35					1135
225 M	45			H-160					225		1607														
250 M	55		H-160						250	155	1760	1600	1060		670	730									
280 S	75			H-160					280	185	1835	1950	1570	785	700	750	140	85	30	20					
280 M	90		H-160						315		1940	2050	1630	815	770	820	140	120	30	20					
315 S	110	H-160		315		1940	2050	1630	815	770	820	140	120	30	20						922				
200 L	30		H-160	315		1940	2050	1630	815	770	820	140	120	30	20						962				
225 M	45	H-160		315		1940	2050	1630	815	770	820	140	120	30	20						1150				
250 M	55		H-160	315		1940	2050	1630	815	770	820	140	120	30	20										
280 S	75	H-160		315		1940	2050	1630	815	770	820	140	120	30	20										
280 M	90		H-160	315		1940	2050	1630	815	770	820	140	120	30	20										
315 S	110	H-160		315		1940	2050	1630	815	770	820	140	120	30	20										

Dimensions for motor with enclosure IP-55 , make of motor to our choice

(1) Intermediate piece optional

Foundation Plan for units with spacer type coupling

n=1450 rpm

Dimensions in mm.,general tolerances (bedplates) for cast parts to DIN 1686/GTB 17,for welded parts to DIN 8570 B

Pump size	Motor		Base-plate	Coupling	Pump-motor references							Base-plate references										Bolts	Weight set																		
	Size	kW.			a	i (2)	h1	h2	h6	f1	W *	W1	V	+V	V1	W2	h3	P1	P2	c	x																				
6520	90 L	1,5	S 385	H-95	125	200	180	225	90		1097	1140	740	440	490	80			90	30		M20x400	158																		
	100 L	2,2							100	125	1138								80				166																		
	112 M	4							112		1159								68				168																		
	132 S	5,5							132	90	1219								48				173																		
	132 M	7,5							132										48				187																		
																							198																		
8026	100 L	3	S 486	H-110	130		225	280	100		1193	1250	840	550	610			125	40	140	M24x400	229																			
	112 M	4							112	175	1214							113				234																			
	132 S	5,5							132	130	1274							93				248																			
	132 M	7,5							132									93				259																			
	160 M	11	S 487						160	150	1408	65	316																												
	160 L	15							180		1532	45	335																												
	180 M	18,5							132	130	1269	118	291																												
	132 S	5,5							132			118	302																												
8032	160 M	11	S 486	H-110	125		250	315	160	150	1403	1420	940	550	610			90	40	140	M24x400	342																			
	160 L	15							180	125	1527							70				359																			
	180 M	18,5							200	110	1585							50				378																			
	180 L	22							160	180	1538							120				392																			
	200 L	30							180	140	1662							80				436																			
	225 S	37							200		1720							100				458																			
8040	160 M	11	S 538	H-125	250	280	355	160	180	1538	1620	1060	600	660	100			120	35	140	M24x400	475																			
	160 L	15						180	140	1662								100				508																			
	180 M	18,5						200		1720								80				552																			
	180 L	22						225	125	1757								55				600																			
	200 L	30	S 486	H-110				112	150	1224	1250	840						113	249																						
	225 S	37						132	130	1284	93	263																													
	225 M	45						160	140	1418	65	314																													
	132 M	7,5						180	125	1542	45	350																													
10026	160 M	11	S 487	H-125	140	225	280	160	140	1418	1420	940	550	610				45	35	140	M24x400	367																			
	160 L	15						180	125	1542								118				287																			
	180 M	18,5						132	130	1284								90				338																			
	180 L	22						160	140	1418								70				355																			
	200 L	30						180	125	1542								50				374																			
	225 S	37						200	100	1600								25				435																			
10032	132 M	7,5	S 486	H-110	140	225	280	132	130	1284	1250	840	550	610				118	40	140	M24x400	506																			
	160 M	11						160	140	1418								90				391																			
	160 L	15						180	125	1542								70				435																			
	180 M	18,5						200	100	1600								50				506																			
	180 L	22						225	125	1637								25				525																			
	200 L	30						225	150	1732								135				539																			
10032	225 S	37	S 487	H-125	140	225	280	225	170	1827	1820	1200	600	660				90	40	140	M16x250	649																			
	200 L	30						250	170	1950								115				669																			
	225 S	37						280	235	2025								65				746																			
	225 M	45						280	235	2025								2150				1730	865	700	750	140	30	20	1122												
	250 M	55						200	200	1840								1772				1200	—	670	730	100	—	130	40	1172											
	280 S	75						225	170	1877								1820				1200	—	670	730	100	—	130	40	746											
	280 M	90						250	150	2000								2250				1740	870	700	750	140	30	105	20	791											
	280 L	90						280	235	2025								2150				1730	865	700	750	140	30	105	20	811											
12540	180 M	18,5	S 608	H-125	170	280	355	450	180	150	1732	1600	1060	670	730				135	40	180	M16x250	583																		
	180 L	22							200	130	1790								115				649																		
	200 L	30							225	170	1827								90				669																		
	225 S	37							250	150	2000								250				1950	872																	
	225 M	45	S 609	H-140					225	170	1827	1820	1200						670	730			100	—	130	40	20	1122	1172	M16x250	1263										
	250 M	55							280	235	2025																					2150	1730	865	700	750	140	30	20	1313	
	280 S	75							200	200	1840																					1772	1200	—	670	730	100	—	130	40	746
	280 M	90							225	170	1877																					1820	1200	—	670	730	100	—	130	40	791
12550	200 L	30	S 609	H-160	170	280	355	450	200	200	1840	1820	1200	670	730	100			155	40	180	M24x400	1011																		
	225 S	37							225	170	1877								1820				1200	—	670	730	100	—	130	40	746										
	225 M	45							250	150	2000								2250				1740	870	700	750	140	30	105	20	811										
	250 M	55							280	235	2025								2150				1730	865	700	750	140	30	105	20	1011										
	280 S	75	S 609	H-180					280	235	2025	2150	1730						865	700			750	140	30	20	1122	1172	M16x250	1263											
	280 M	90							200	200	1840																				1772	1200	—	670	730	100	—	130	40	746	
	315 S	110							225	170	1877																				1820	1200	—	670	730	100	—	130	40	791	
	315 M	132							250	150	2000																				2250	1740	870	700	750	140	30	105	20	811	
15032	315 L	160	S 609	H-200	170	280	355	450	315	235	2210	2350	1890	770	820	140	30		70	20	180	M16x250	1513																		
	315 M	132							225	170	1877								1820				1200	—	670	730	100	—	130	40	746										
	315 L	160							250	150	2000								2250				1740	870	700	750	140	30	105	20	811										
	200 L	30							280	235	2025								2150				1730	865	700	750	140	30	105	20	1011										
	132 M	7,5	S 607	H-125					170	280	400	132	130						1474	1400			940	670	730	100				148	40	180	M24x400	426							
	160 M	11										160	170						1608											120				463							
	160 L	15										180	140						1732											100				480							
	180 M	18,5										200	130						1790											80				499							
180 L	22	S 609			H-140	225	170	1827				1820	1200	670	730	100						55	40							180				M24x400	513						
200 L	30					225	170	1827														1820													1200	55	623				
225 S	37					225	170	1827														1820													1200	55	623				
225 M	45					225	170	1827														1820													1200	55	643				

Dimensions for motor with enclosure IP-55 , make of motor to our choice

(1) Intermediate piece optional

Foundation Plan for units with spacer type coupling

n=1450 rpm

Dimensions in mm.,general tolerances (bedplates) for cast parts to DIN 1686/GTB 17,for welded parts to DIN 8570 B

Pump size	Motor		Base-plate	Coupling	Pump-motor references							Base-plate references										Bolts	Weight set							
	Size	kW.			a	i (2)	h1	h2	h6	f1	W *	W1	V	+V	V1	W2	h3	P1	P2	c	x									
20032	160 L	15	S 608	H-125	200	300	315	450	160	150	1638	1600	1060	—	670	730	100	—	155	40	180	M24x400	503							
	180 M	18,5							180	140	1762								135				522							
	180 L	22							200	200	1820	115	536																	
	200 L	30	S 609	H-140					225	200	1857	1820	1200						90				598							
	225 S	37							250	170	1980	65	666																	
	225 M	45							280	275	2055	2200	1740						870				700	750	140	30	20	879		
	250 M	55							220x75x14	H-180	280	275	2055						2200				1740	870	700	750	140	30	20	1121
	280 S	75									180	200	1812						1820				1200	—	670	730	100	—	175	658
20040	180 L	22	S 609	H-160	200	300	355	500	180	200	1870	1820	1200	—	670	730	100	—	175	40	180	M24x400	702							
	200 L	30							225	170	1907								130				747							
	225 S	37							250	150	2030								105				767							
	225 M	45							280	275	2055								2200				1740	870	700	750	140	30	20	967
	250 M	55							225x75x14	H-180	280								275				2055	2200	1740	870	700	750	140	30
	280 S	75	240x82x14	H-200					2105	2250	1790	895	700	750	105	1271														
	280 M	90							315	275	2240	2400	1900	950	770	820	70	1460												
	315 S	110							2380	2550	2050	1025	1540																	
315 M	132	255x82x14	H-200	2380	2550	2050	1025	770	820	180	1700																			
315 L	160			250 M	55	225x80x14	H-160	250	300	2030	2250	1790	895	750	800	140	30	150	20	M16x250	1125									
20050	250 M	55	225x80x14	H-180	200	300	400	530	280	2105	2250	1790	895	750	800	140	30	180	20	180	M16x250	1307								
	280 S	75							280	2105	2250	1790	895	750	800	140	30	150	1357											
	280 M	90	240x82x14	H-200					275	2240	2400	1900	950	770	820	115	1545													
	315 S	110							2240	2400	1900	950	770	820	115	1625														
	315 M	132							2380	2550	2050	1025	770	820	115	1805														
	315 L	160							2380	2550	2050	1025	770	820	115	1945														
315 L	200	255x82x14	H-200	2380					2550	2050	1025	770	820	115	1945															

Dimensions for motor with enclosure IP-55 , make of motor to our choice

(1) Intermediate piece optional

Product identification

Series + sizes	Impeller type	Hydraulic	Bearing	Shaft sealing	Material	Casing design
	D triple channel impeller Z double channel impeller F free-flow impeller	A	B: Pump end: one cylindrical roller bearing to DIN 5412 Drive end: one deep groove ball bearing to DIN 625 grease lubrication C: Pump end: one cylindrical roller bearing to DIN 5412 Drive end: one deep groove ball bearing to DIN 625 oil lubrication S: Pump end: one cylindrical roller bearing to DIN 5412 Drive end: two angular contact ball bearings in O-arrangement. grease lubrication T: Pump end: one cylindrical roller bearing to DIN 5412 Drive end: two angular contact ball bearings in O-arrangement. oil lubrication	051* 052 071 BKS BKW	0B main parts of cast iron 0E main part of cast iron, but impeller, wear plate of stainless steel 4B main parts of stainless steel	B with wear plate C without wear plate
DBSA	03216 03220 04016 04020 05016 05020 05026 05032 06520 08026 08032 08040 10026 10032 12540 12550 15032 20032 20040 20050 30040	F D/F Z/F D/F Z/F Z Z/F D/F D	B, C S, T	Alternativ 051 052 071** BKS BKW	Alternativ 0B 0E 4B	C B

* see page 2 under shaft sealing

** not valid for sizes 3216 and 3220

If we are informed of the motor type being selected, the coupling can be supplied already drilled on motor side and we can supply the coupling guard and the shims for equalizing out the centre height.

STERLING

