

Canned Motor Pump

SGM - Series

HN - Type



Standard range



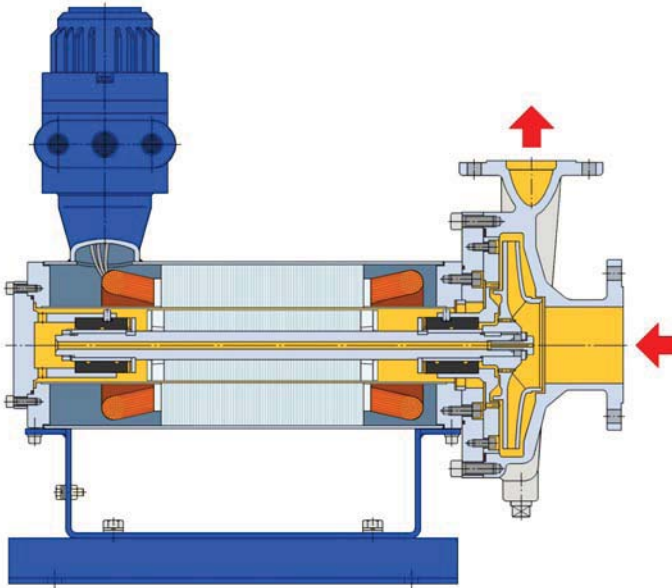
Capacity	max. 1000 m ³ /h
Head	max. 200 m
Motor rating	max. 250 kW
Medium Temperature	-50 to +170 °C

General SGM – Series HN - Type

Nikkiso SGM - series canned motor pumps are centrifugal pumps, which are due to their construction without shaft seals. The pumps are driven by integrated canned motors. Space requirements and noise emissions are much lower than those of conventional centrifugal pumps.

The pumps are equipped with Nikkiso's unique E-Monitor.

Special designs are available for slurries, heat transfer liquids and liquefied gases.



- Compact size
- Axial thrust balanced for long bearing life
- Bearing wear monitoring
- Nikkiso's block building system
- High efficiency

Applications

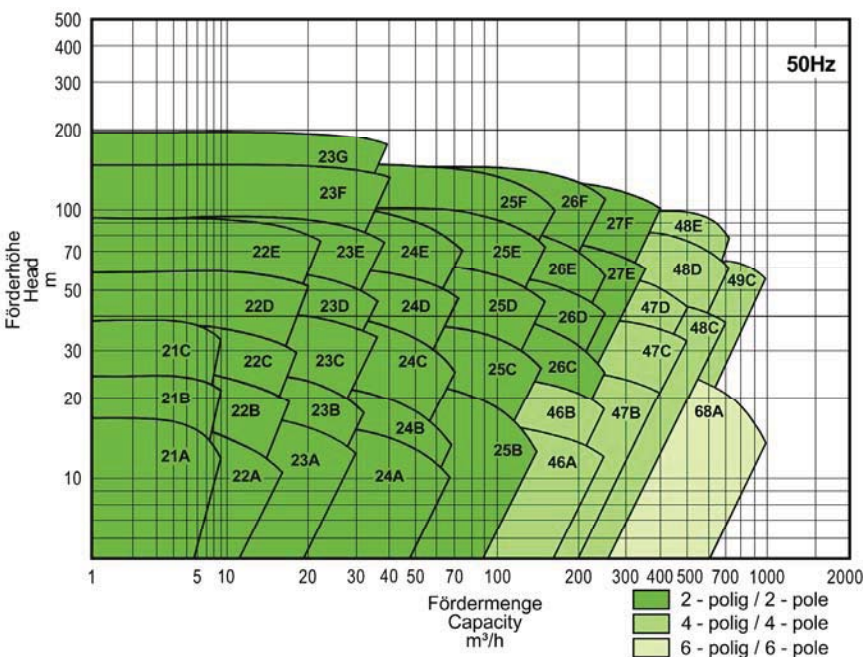
The use of Nikkiso SGM - Series canned motor pumps is mainly for aggressive, inflammable, explosive and toxic clean liquids.

The pumps are proven for use in vacuum systems.

The pumps are used in

- The Chemical and Pharmaceutical industry
- The Petrochemical industry
- Refrigeration plants
- Plants handling liquefied gases

Pressure / Capacity Envelope



Materials (Standard design)

Part	Code
Casing(s)	1.4408
Impeller	1.440
Gaskets	PT
Bearing housing	1.4401
Bearing	Special Carbon or SiC
Shaft sleeves	1.4401 HCR or 1.4462 Wrc
Thrustwasher	
Motor housing	1.0040 or 1.4301
Base plate	1.0040 or 1.4301
Can	Hastelloy
Rotor/Stator end cover	1.4401

Other Materials on request

Driver

- Integral 3-phase asynchronous motor IP66 and Explosion Protection acc. to Directive 94/9/EC (ATEX 95)
- The motors are in accordance with VDE/EN requirements.
- Thermal winding protection