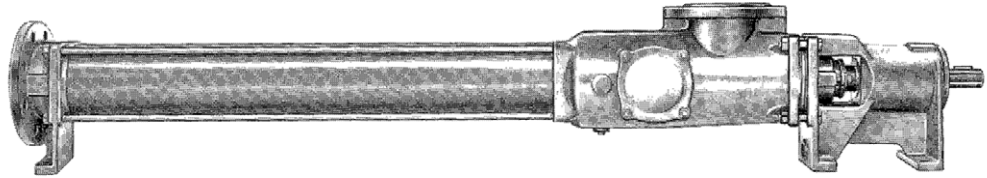


Eccentric Screw Pumps

Series AE1+1H, AE2H, AE2+2H, AE4H Design ID



Application

For handling liquid to highly viscous, neutral or aggressive, uncontaminated or abrasive liquids, liquids containing gases or which tend to froth, also containing fibres and solid matter.

In waste water and waste water treatment engineering, chemical and petrochemical industry, paper and cellulose industry, soap and fats industry, paint and lacquer industry, food and beverage industry, plastics industry, ceramics industry, agriculture, sugar industry and in shipbuilding.

Function

Self-priming, two or four-stage, rotary positive displacement pump. Conveying elements are the rotating eccentric screw (rotor) and the fixed stator. In the cross-sectional plane, both are in contact with one another at two points forming two sealing lines along the length of the conveying elements. The contents of the sealed chambers which are formed as the rotor turns are displaced axially and with complete continuity from the suction to the delivery end of the pump. Despite rotor rotation, there is no turbulence. The constant chamber volume excludes squeezing, thus ensuring an extremely gentle low-pulsating delivery.

Structural design

By external casing connecting screws (clamping screws), the pressure casing, stator and suction casing are interconnected. The suction casings are designed particularly favourable to flow. The pump sizes 50 to 2700 in cast iron design are provided with staggered holes for cleaning. The stator vulcanized into a tube or shell casing (even elastomer wall thickness) is provided with external collars vulcanized to it on both sides reliably sealing towards the suction casing and delivery casing and protecting the stator shell from corrosion.

Stators are supplied:

with uneven wall thickness:

- two+two-stage for sizes 100, 200, 380, 750, 1450, 2700
- four stage for sizes 12, 25, 50, 100, 200, 380, 750, 1450

with even wall thickness:

- single+single stage for size 2700
- two-stage for sizes 100, 200, 380, 750, 1450

The exchangeable shaft sealing housing or mechanical seal housing (subsequent conversion to another sealing variant is possible) are arranged between the suction casing and bearing bracket. The sealing housings (shaft seals) are easily accessible as the complete bearing unit can be withdrawn from the driving shaft without any further pump dismounting.

Bearing of the driving spindle is effected in the bearing bracket. The torque of the drive is transmitted over the driving shaft and the joint shaft onto the rotor. On both sides, the joint shaft ends in liquid-tight encapsulated bolt joints, which are designed particularly simple and sturdy properly taking the eccentric movement of the rotor.

Shaft seal

By uncooled, cooled or heated stuffing box or by uncooled or cooled maintenance-free unbalanced, single or double-acting mechanical seal.

Material pairing and design are adapted to the respective operating conditions. For further data, refer to pages 4, 5.

The stuffing box or mechanical seal housings of the various shaft sealing types are interchangeable within one size. The various mechanical seal housing parts form a modular construction system and, in case of conversion to a different mechanical seal design, can be easily combined with one another.

Installation spaces for mechanical seals according to DIN 24 960 (except for double mechanical seal).

For further data, refer to pages 4, 5, 6 and 7.

Technical data

Deliveries, admissible speed ranges and required drive powers are to be taken from the performance graph on page 3 and/or the separate individual characteristic curves.

			AE.H
Delivery	Q l/min	up to	2900
Temperature of fluid pumped	t °C ①	up to	150
Delivery pressure	Δp bar	up to	24
Pump outlet pressure	p _d bar ④	up to	25
Attainable underpressure	p _s bar ③	up to	0,95
Viscosity	η mPa·s ②	up to	270.000
Admissible solids content	% by vol. ③	up to	60

The mentioned performance data are to be considered as a product and performance abstract only. The particular operating limits can be taken from the quotation or order acknowledgement.

Max. admissible grain sizes and fibre lengths

Size	12	25	50	100	200	380
max. grain size mm	2	2,5	3	3,8	5	6,8
max. fibre length mm	35	42	42	48	60	79

Size	750	1450	2700
max. grain size mm	9,5	14	20
max. fibre length mm	98	130	210

Increasing solids content and increasing grain size require a reduction of the pump speed:

- ① depending upon the fluid to be pumped and the elastomers employed.
- ③ depending upon the pump size/design, speed and fluid to be pumped.
- ④ depending upon the direction of rotation, inlet pressure.

Drive

Driving possibilities see page 12.

Drives of any manufacturers can be employed. For the technical data and dimensions, please refer to the documents of the manufacturers.

Direction of rotation

Clockwise looking from the drive end is standard. Opposite direction of rotation is possible. For clockwise rotation the permissible pressure at the shaft seal and the permissible pressure of the suction casing, then discharge casing, (16 bar) must be considered.

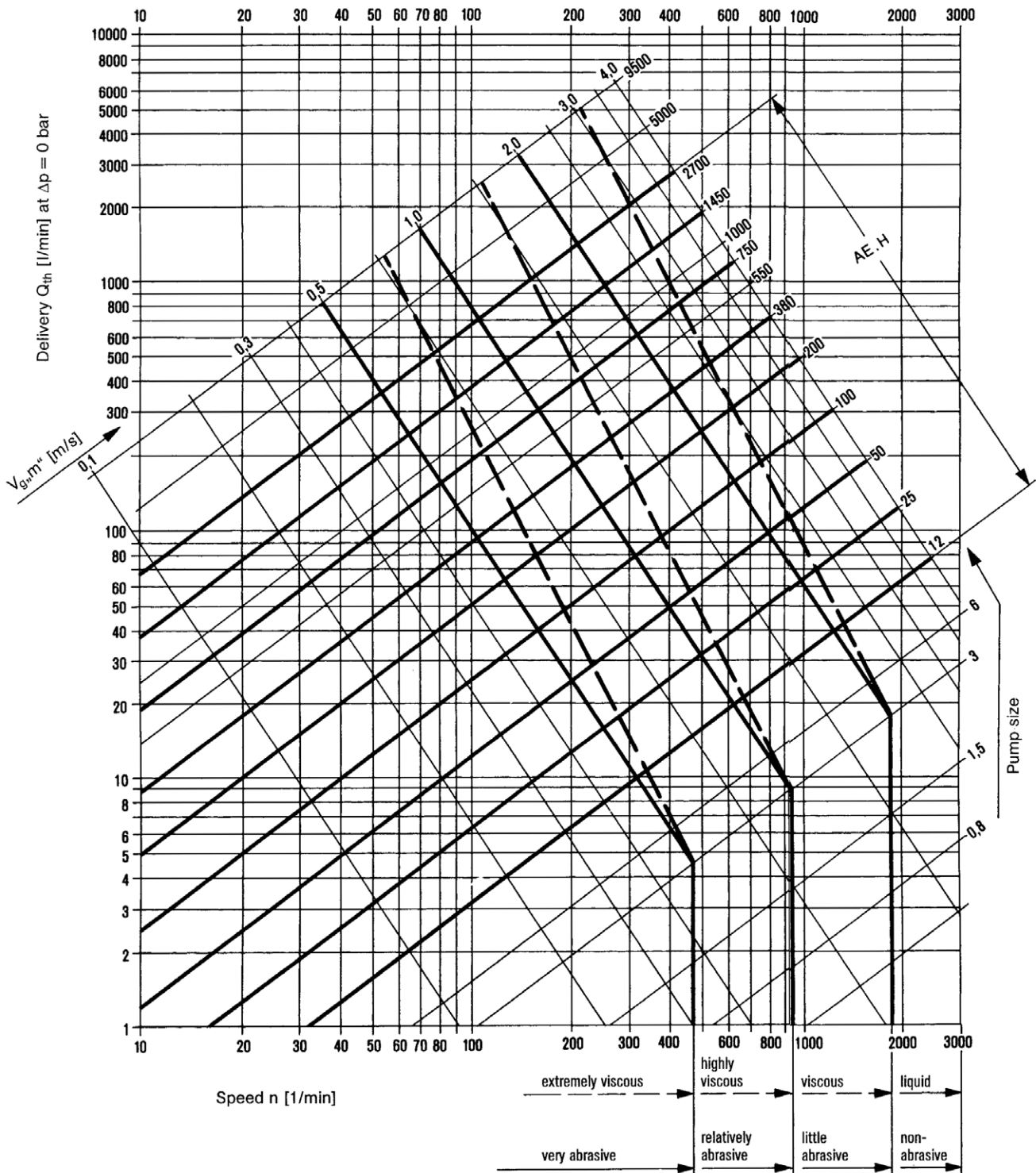
Installation

AE pumps may be installed horizontally or vertically. In case of vertical arrangement, "shaft shank downwards" is not admissible.

By means of a flexible coupling or a via gear (as a rule, V-belt drive), the pump and drive are connected with one another and mounted on a common base plate. For aggregate dimensions, please inquire.

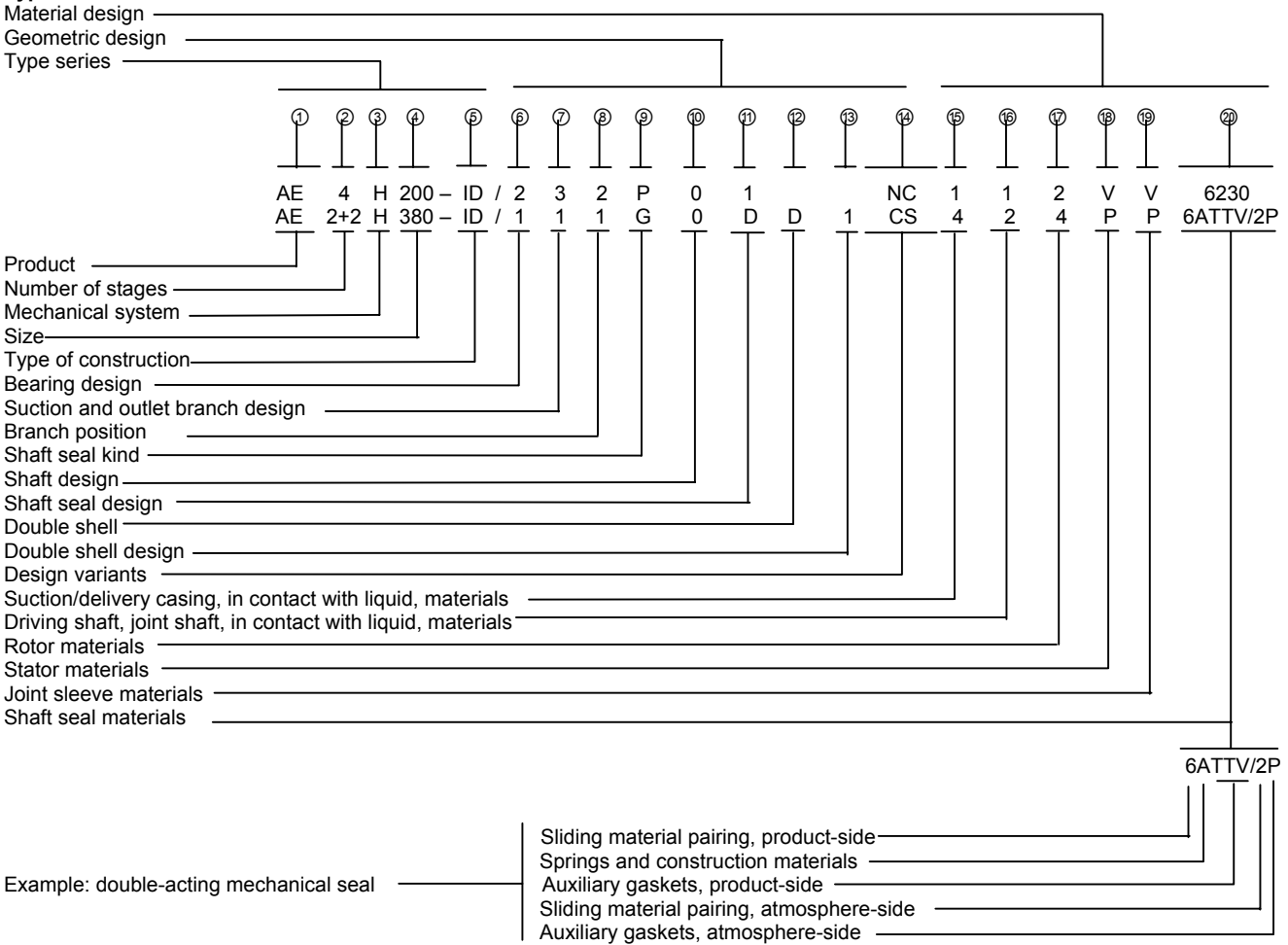
Performance graph

For a rough selection of the pump size and speed as a function of the requested delivery and kind of fluid to be pumped. $V_{g,m}$ = available, mean sliding speed of the rotor in the stator.



Sizes of the series AE.H. Data on the performance range not covered by AE series are to be taken from the rear side of this brochure and/or the individual brochures of the other series.
For exact performance data, please refer to the individual characteristics.

Type code



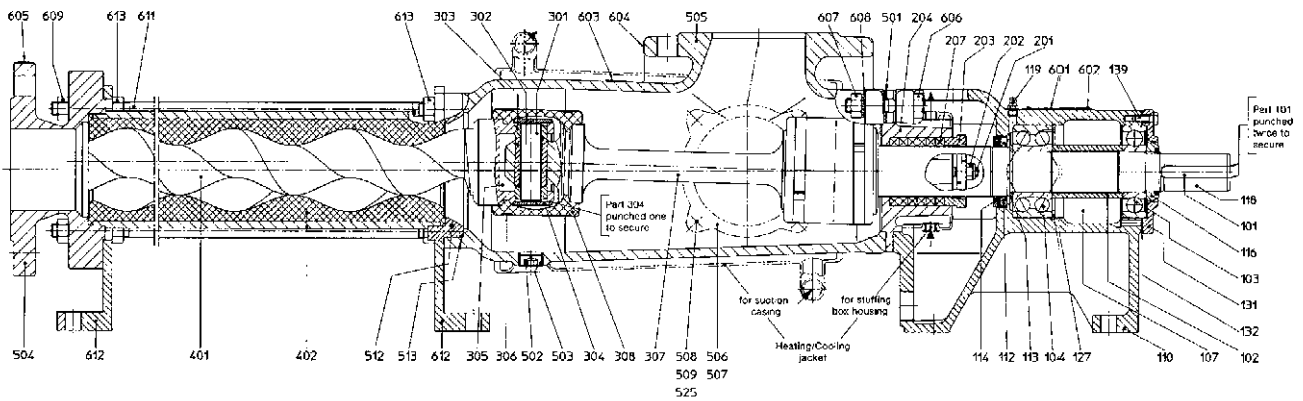
Explanations to the type code:

Position in type code	Designation	Design
①	Product	ALLWEILER eccentric screw pump
②	Number of stages	1+1 = single-stage + single-stage up to delivery pressure Δp 24 bar (stator with even elastomer wall thickness), size 2700 2 = two-stage up to delivery pressure Δp = 24 bar (stator with even elastomer wall thickness), sizes 100, 200, 380, 750, 1450 2+2 = two-stage + two stage up to delivery pressure Δp 24 bar, sizes 100, 200, 380, 750, 1450, 2700 4 = four-stage up to delivery pressure Δp 24 bar, sizes 12, 25, 50, 100, 200, 380, 750, 1450
③	Mechanical system	H = rated for delivery pressure Δp 24 bar
④	Size	Possible sizes: 12, 25, 50, 100, 200, 380, 750, 1450, 2700 The numbers indicate the theoretic delivery in l/min with $n = 400$ 1/min and $\Delta p = 0$ bar
⑤	Design	ID = Industrial design with external bearing
⑥	Bearing design	1 = hose-proof, radial bearing drive-side with sealing washer, axial bearing pump-side with shaft seal ring. Both bearings regreasable. For horizontal installation
⑦	Suction and outlet branch design	1 = DIN flanges 3 = ANSI flanges X = Suction and/or delivery branch of special design — according to dimensional sheet, pages 9 and 10
⑧	Branch position	1, 2, 3, 4 – For the arrangement, please refer to the representation, page 9. Arrangement 3 for size 12 not possible.
⑨	Shaft seal type	P = Stuffing box or other non-mechanical shaft seal G = Mechanical seal (mechanical shaft seal)
⑩	Shaft design	0 = Shaft without shaft sleeve 1 = Shaft with sleeve (not possible with pum size 12)
⑪	Shaft seal design	Stuffing boxes P01/P11 = Stuffing box of normal design (without sealing chamber ring / without flushing ring) P02/P12 = Stuffing box with flushing ring P03/P13 = Stuffing box with internal sealing chamber ring P04/P14 = Stuffing box with external sealing chamber ring P0X/P1X = Non-mechanical shaft seal of special design

⑪ Shaft seal design (continued) X = design Possible	Mechanical seals		12	25	50	100	200	380	750	1450	2700	
	for pumps sizes		25	30	35	43	53	60	75	90	110	
	Shaft diameter at the location of the shaft seal											
	G0K/G1K = individual mechanical Seal, DIN 24 960, design K, shape U		①X	X	X	X	X	X	X	X	X	⊗
	G0N/G1N = as above, however design N		①X	X	X	X	X	X	X	X	X	-
	G0S/G1S = individual mechanical seal, DIN 24 960, design K, shape U, rotating part with integrated locking device and pump-sided throttling ring		①X	X	X	X	X	X	X	X	X	⊗
	G0T/G1T = as above, however design N		①X	X	X	X	-	X	X	-	-	-
	G0Q/G1Q = individual mechanical seal, DIN 24 960, design K, shape U with quench		①X	X	X	X	X	X	X	X	X	⊗
	G0D/G1D = double mechanical seal		①⊗	⊗	⊗	⊗	⊗	⊗	⊗	⊗	⊗	⊗
G0X/G1X = mechanical seal of special design												
① not available with shaft sleeve		⊗ for gasket design, please inquire.										
⑫ Double shell	D = Double shell for heating/cooling, available in stainless steel only. Connections as threaded nipples for liquid media. Maximum heating/cooling pressure 6 bar, maximum heating temperature + 150°C, maximum cooling temperature -40°C											
⑬ Double shell design	1 = Suction casing with double shell 2 = Stuffing box for P01/P11 with double shell 12 = Suction and shaft sealing housing P01/P11 with double shell X = Special design for other double shells											
⑭ Design variants	Stator with uneven elastomer wall thickness (all qualities) N M H T					Stators with even elastomer wall thickness (all qualities) D E F R						
	Rotor with temperature play as a function of the temperature of the fluid pumped					Rotor with temperature play as a function of the temperature of the fluid pumped						
	C = Rotor hard chromium-plated Y = Rotor ductile hard chromium-plated Z = Rotor metallicly coated S = Worm on joint shaft					W = Winding protection on joint shaft G = Stator with even elastomer wall thickness X = other designs						
⑮ Suction and delivery casing in contact with fluid, materials	1 = grey cast iron EN-GJL-250\St 3 = grey cast iron EN-GJL-250\St, inside H-rubberized 4 = 1.4408/1.4571 A = 1.4462 X = Special materials											
⑯ Driving shaft, joint shaft in contact with liquid, materials	1 = 1.4021/1.4571 2 = 1.4301/1.4571 4 = 1.4571 A = 1.4462 X = Special materials, e.g. also for joint parts											
⑰ Rotor materials	2 = 1.4301 3 = 1.2436/1.2379		4 = 1.4571 X = Special materials, e.g. other metals, plastic materials		A = 1.4462							
⑱ Stator Materials	WB = Caoutchouc soft		YL = Chlorosulfonated polyethylene (CSM) bright			PE = Polyethylene						
	P = Acrylonitrile-butadiene rubbers (NBR)		V = Fluoroelastomer (FPM)			PT = Teflon glass fiber reinforced						
	PL = Acrylonitrile-butadiene rubbers (NBR) bright N = Polychloroprene (N) Y = Chlorosulfonated polyethylene (CSM)		HP = Acrylonitrile-butadiene rubbers hydrated (HNBR) SL = Silicon bright PU = Polyurethan			E = EPDM X = Special materials						
⑲ Joint sleeve Materials	P = Acrylonitrile-butadiene rubbers (NBR)		Y = Chlorosulfonated polyethylene (CSM)			X = Special materials						
	PL = Acrylonitrile-butadiene rubbers (NBR) bright N = Polychloroprene (N)		V = Fluoroelastomer (FPM) B = Butyl caoutchouc									
⑳ Shaft seal materials	Stuffing box: 5846 = Ramie fiber with PTFE impregnation, asbestos-free 6426 = Aramid endless fibre with PTFE impregnation, asbestos-free 6230 = Graphite-incorporated PTFE with sliding agents, asbestos-free											
	Mechanical seal:											
	Sliding material pairing			Spring and constr. Materials				Auxiliary gaskets				
	1st point for single gasket 1st + 4th point for double gasket			2nd point				3rd point for single gasket 3rd + 5th points for double gasket				
	2 = CrMo cast iron/hard carbon 4 = Ceramics/hard carbon 5 = Hard metal/hard metal, highly wear-resistant 6 = Silicon carbide/silicon carbide highly wear-resistant, corrosion-resistant 7 = Silicon carbide/silicon carbide highly wear-resistant, highly corrosion-resistant X = Special materials			A = 1.4300 F = 1.4571 L = Hastelloy B M = Hastelloy C4 X = Special materials				P = Acrylonitrile-butadiene rubbers (NBR) E = EP caoutchouc S = Silicon caoutchouc N = Polychloroprene (N) V = Fluoroelastomer (FPM) TTE = EP caoutchouc ① TTV = Fluoroelastomer (FPM) ① TTS = Silicon caoutchouc ① X = Special materials				

Sectional drawing and component list

Series AE4H – design ID

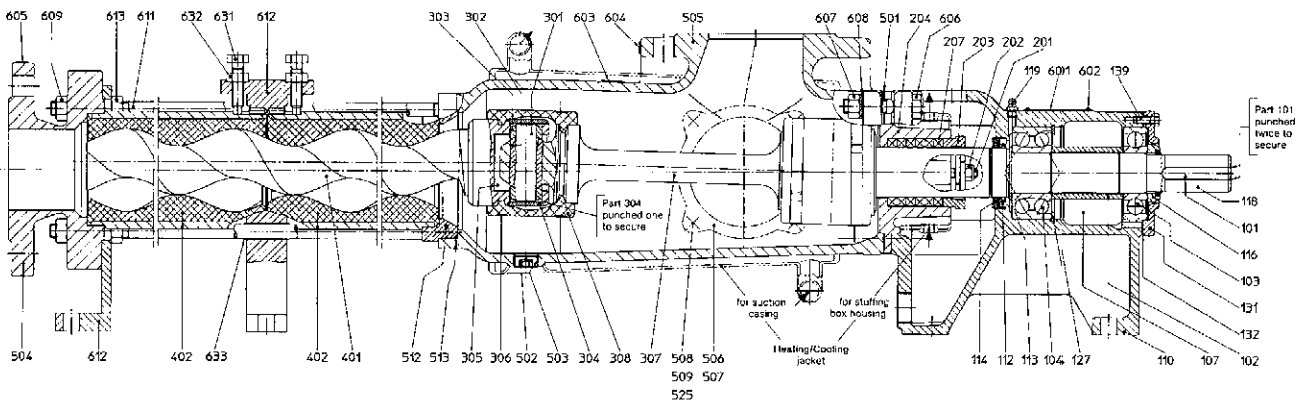


Bearing 1: Hose-proof, radial bearing drive-side with sealing washer; axial bearing pump-side with shaft seal ring.

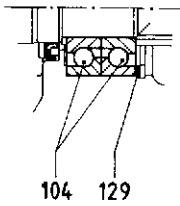
Both bearings regreasable. Only for horizontal installation.

Shaft seal P01: Due to particularly great packing length, versatile, admissible pressure at the shaft seal $p = -0,7$ to 16 bar.

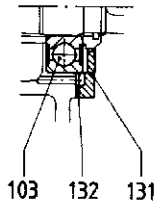
Series AE2+2H – design ID



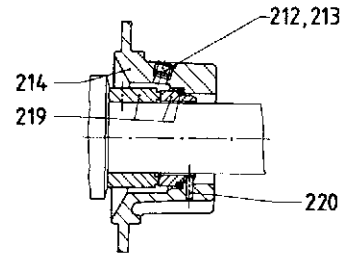
Part No.	Denomination	Part No.	Denomination	Part No.	Denomination
101	Key	213	Joint tape	504	Pressure casing
102	Spacer sleeve	214	Mechanical seal housing	505	Suction casing
103	Groove ball bearing	215	Mechanical seal cover	506	Suction casing cover
104	Angular-contact ball bearing	218	O-ring	507	Gasket
107	Bearing grease	219	Mechanical seal	508	Stud bolt
110	Bearing bracket	220	Locking pin	509	Hexagon nut
112	Shaft seal ring	232	Shaft seal ring	510	Fan-type lock washer
113	Spacer ring	234	Throttling ring	512	Reducer flange
114	Thrower	235	O-ring	513	O-ring
115	O-ring	236	Locking pin	525	Washer
116	Bearing nut	245	Hexagon screw	601	Type plate
118	Driving shaft	251	Sealing compound	602	Round head grooved pin
119	Lubricating nipple	301	Joint bolt	603	Information plate Commissioning
127	Circlip	302	Joint bush	604	Information plate Suction
129	Shim ring	303	Bush for joint bolt	605	Information plate Pressure
131	Bearing cover	304	Joint sleeve	606	Hexagon screw
132	Gasket	305	Joint oil	607	Hexagon nut
139	Hexagon screw	306	Joint clamp	608	Fan-type lock washer
201	Stud bolt	307	Joint shaft	609	Hexagon nut
202	Self-locking nut	308	Joint collar	610	Washer
203	Gland half	401	Rotor	611	Clamp bolt
204	Shaft sealing housing	402	Stator	612	Support
206	Shaft sleeve	403	Stator gasket outlet side	613	Hexagon screw
207	Stuffing box packing	404	Stator gasket suction side	631	Fixing piece
208	Flushing ring	501	Gasket for suction casing	632	Hexagon nut
209	Sealing chamber ring	502	Screw plug	633	Spacer
212	Screw plug	503	Sealing tape		



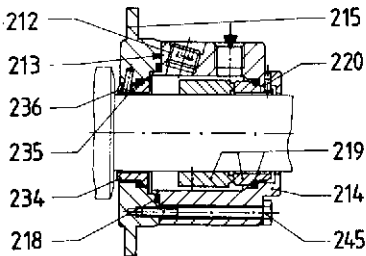
Bearing 1 and 2: for size 380 and above
Axial bearing with two-single-row angular contact ball bearings.



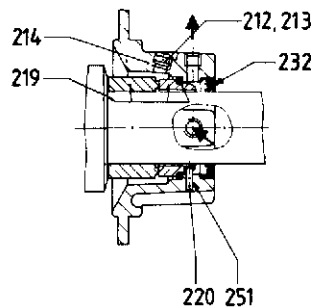
Radial bearing in case bearing 2 (only for vertical installation with shaft shank upwards)



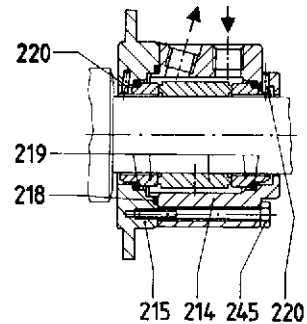
GOK/GON Single mechanical seal, DIN 24 960, K/N design, U shape. For employment, please inquire. $p = -0,5$ to 16 bar



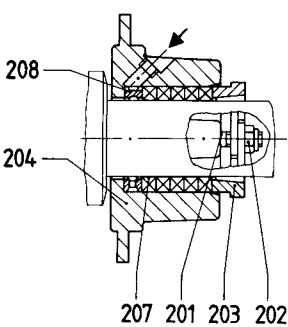
GOS/GOT Single mechanical seal, DIN 24 960, K/N design, U shape, rotating part with integrated locking device, with flushing liquid connection and pump-side throttling ring. For employment, please inquire, $p = -0.5$ to 16 bar



GOQ Single mechanical seal, DIN 24 960, K design, U shape with quench. For employment, please inquire, $p = -0.5$ to 16 bar

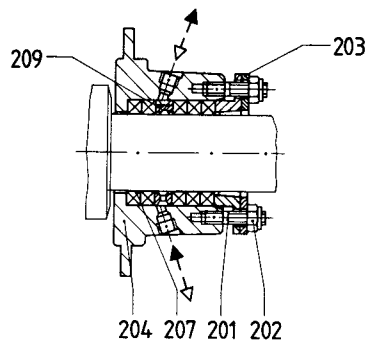


GOD Double mechanical seal, with sealing liquid connection. For employment, please inquire, $p = -0.95$ to 16 bar



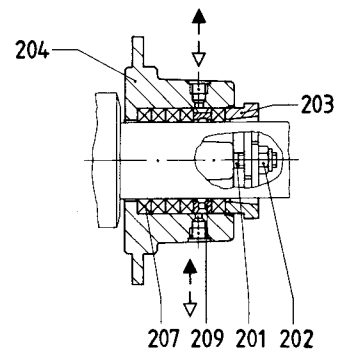
P02 Stuffing box with flushing ring

To be employed for very abrasive fluids pumped with external flushing
 $p = -0.7$ to 12 bar



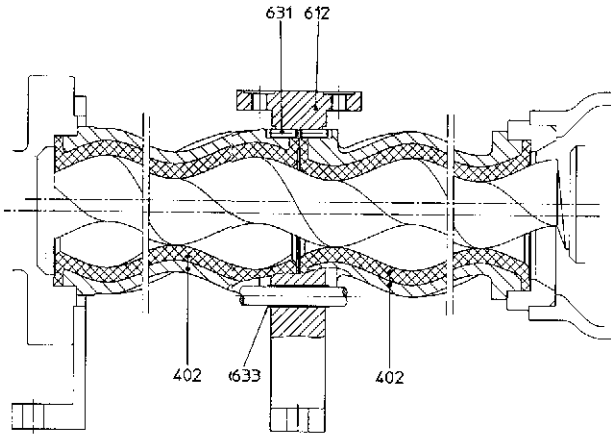
P03 Stuffing box with internal sealing chamber ring

To be employed for pure fluids with internal sealing or for abrasive fluids with external sealing
 $p = -0.8$ to 6.0 bar

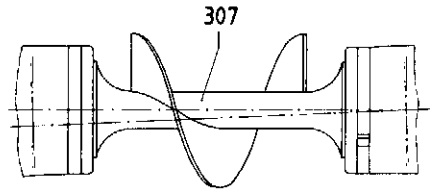


P04 Stuffing box with internal sealing chamber ring

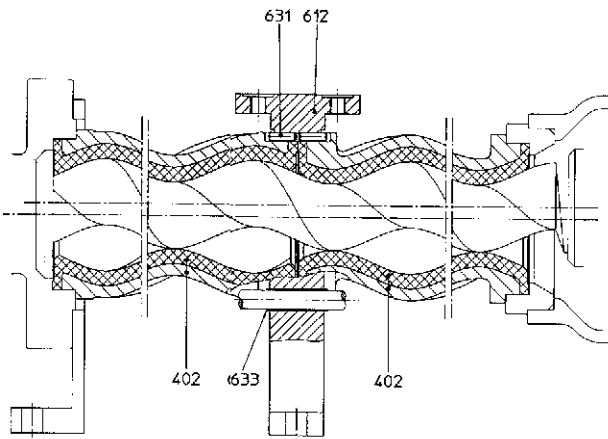
To be employed in case of incompatibility of the external sealing liquid with the fluid pumped or if air inlet is to be avoided
 $p = -0.9$ to 12 bar



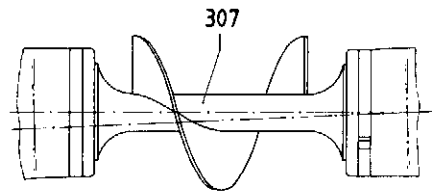
Stator with uniform rubber wall thickness
 Series AE2H



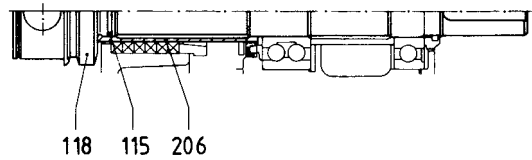
Winding protection on joint shaft



Stator with uniform rubber wall thickness
 Series AE1+1H



Worm on joint shaft

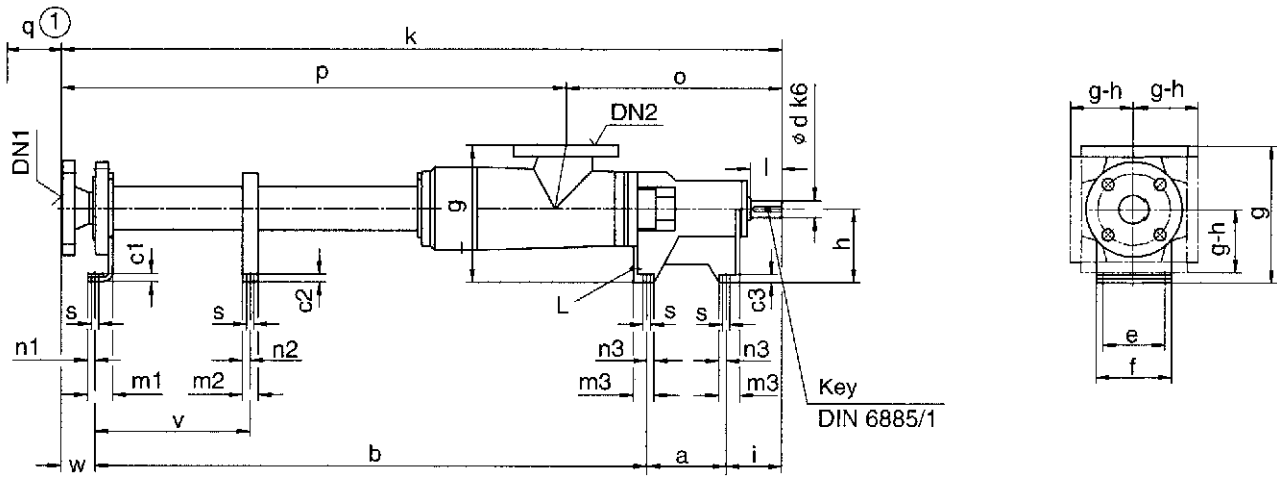


Shaft with sleeve from size 25
 and above all gasket design possible

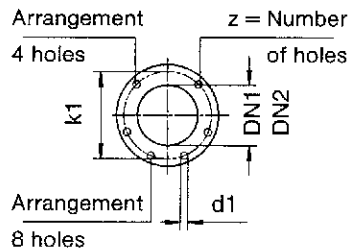
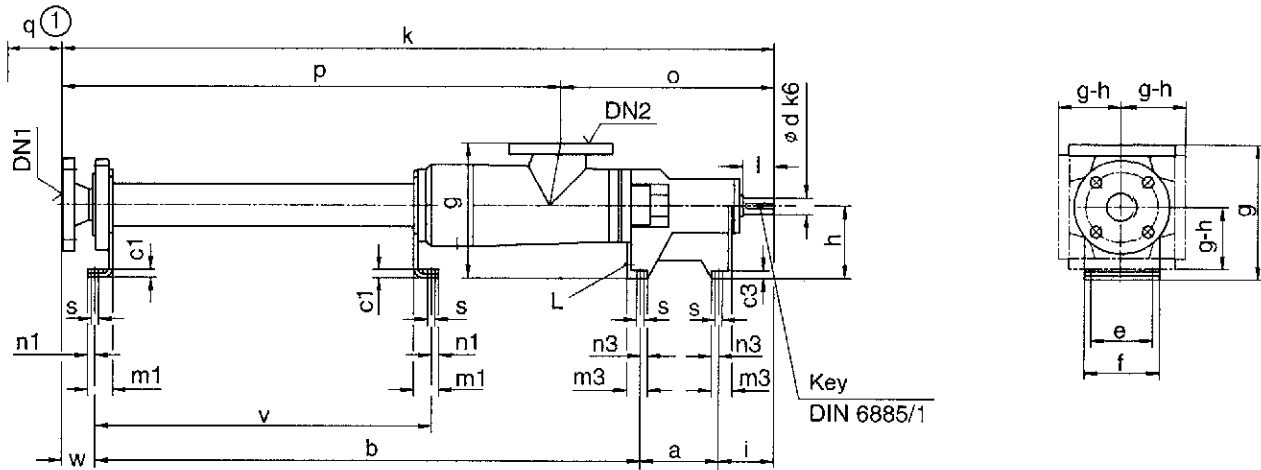
Series AE1+1H, AE2H, AE2+2H, AE4H Design ID



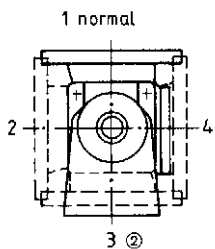
Pump dimensions, auxiliary connections, possible branch positions, weights
Series AE1+1H, AE2+2H – design ID



Series AE2H, AE4H – design ID



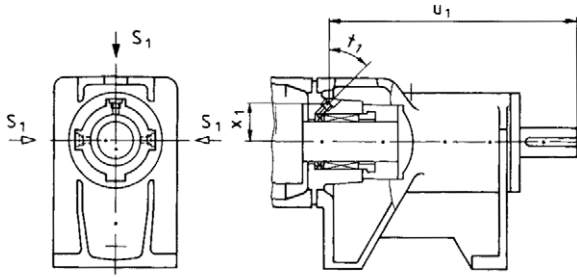
Possible branch positions
as seen from the drive



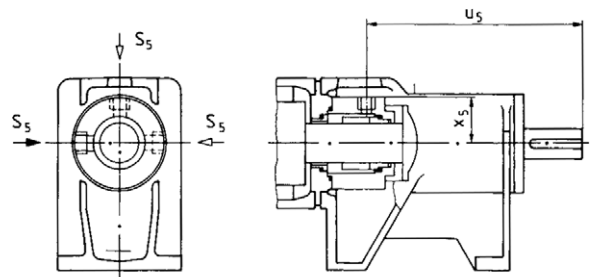
② for size AE4H 12 not possible

Dimensions in mm, nominal widths
of ANSI flanges (DN) in inch.
Subject to alterations.

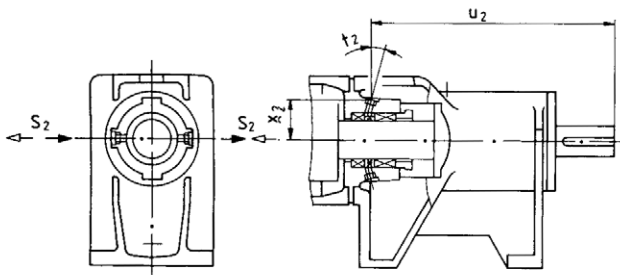
Arrangement of auxiliary connections for shaft seals



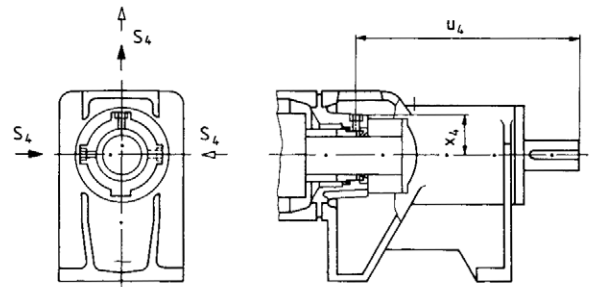
P02, P12 with flushing ring



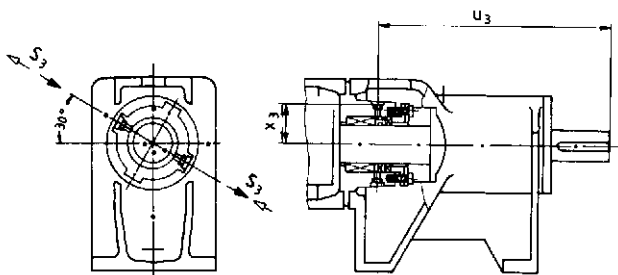
G0S/G0T, G1S/G1T with flushing connection



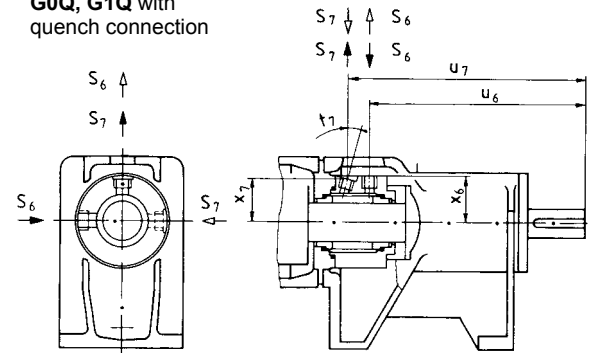
P03, P13 with internal sealing chamber ring



G0Q, G1Q with quench connection



P04, P14 with external sealing chamber ring



G0D, G1D with sealing connection

- ① Stator dismantling dimensions
- ② Sealing surface DIN 2526 shape C
- ③ Sealing surface: stock finish
- ④ for rubber-coating + 3 mm
- ⑤ up to DN 100 sealing surface DIN 2526 shape C, machined as shape A
- ⑥ from DN 125 sealing surface DIN 2526 shape A

Series Size	Companion dimensions auxiliary connections for shaft seals										
	P02, P12 with flushing ring				P03, P13 with internal sealing chamber ring				P04, P14 with external sealing chamber ring		
	S ₁ ⊙	u ₁	x ₁	t ₁	S ₂ ⊙	u ₂	x ₂	t ₂	S ₃ ⊙	u ₃	X ₃
AE.H 12-ID	M 8 x1	195,5	28	42°	M 8 x1	188	30	20°	M 8 x1	180,5	30,5
AE.H 25-ID	M 8 x1	217	31,5	40°	M 8 x1	211	32	20°	M 8 x1	202,5	33,5
AE.H 50-ID	Rp ½	255	38	42°	Rp ½	248	40	17°	Rp ½	236	39,5
AE.H 100-ID	Rp ½	279	42	42°	Rp ½	272	44	17°	Rp ½	261	43,5
AE.H 200-ID	Rp ½	316	52	42°	Rp ½	307	54	17°	Rp ½	292,5	54,5
AE.H 380-ID	Rp ½	349	56	35°	Rp ½	338,5	57	13°	Rp ½	322,5	58
AE.H 750-ID	Rp ¼	416	67	35°	Rp ¼	403	68,5	13°	Rp ¼	383	69,5
AE.H 1450-ID	Rp ¼	492	77	35°	Rp ¼	474,5	79	13°	Rp ¼	451	80
AE.H 2700-ID	Rp ¼	588	94,5	35°	Rp ¼	568,5	97	13°	Rp ¼	542	97

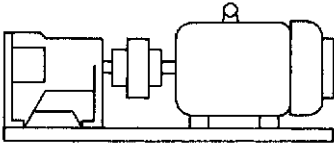
Series Size	Companion dimensions auxiliary connections for shaft seals												
	G0S/G0T, G1S/G1T with flushing connection			G0Q, G1Q with quench connection			G0D, G1D with sealing connection						
	S ₅ ⊙	u ₅	x ₅	S ₄ ⊙	u ₄	x ₄	S ₆ ⊙	S ₇ ⊙	u ₆	u ₇	x ₆	x ₇	t ₇
AE.H 12-ID	Rp ¼	157	34	Rp ½	167	30,5	Rp ¼	Rp ¼	157	182,5	34	33	15°
AE.H 25-ID	Rp ¼	179	38	Rp ½	187,5	30,5	Rp ¼	Rp ¼	179	204,5	38	36,5	15°
AE.H 50-ID	Rp ¼	220,5	41,5	Rp ½	230	33,5	Rp ¼	Rp ¼	220,5	245,5	41,5	40	15°
AE.H 100-ID	Rp ⅜	241	48,5	Rp ½	255	41	Rp ⅜	Rp ⅜	241	266	48,5	47	15°
AE.H 200-ID	Rp ⅜	280	56	Rp ½	287	54	Rp ⅜	Rp ⅜	280	305,5	56	53,5	20°
AE.H 380-ID	Rp ⅜	297	61	Rp ½	315,5	57,5	Rp ⅜	Rp ⅜	297	337,5	61	58,5	20°
AE.H 750-ID	Rp ⅜	364	71,5	Rp ¼	375,5	68,5	Rp ⅜	Rp ⅜	364	406	71,5	69	22°
AE.H 1450-ID	Rp ⅜	440,5	81	Rp ⅜	446	79	Rp ⅜	Rp ⅜	440,5	479,5	81	78,5	20°
AE.H 2700-ID	Rp ⅜	527	98	Rp ⅜	542	96	Rp ⅜	Rp ⅜	527	576	98	95,5	25°

⊙ Screw hole DIN 3852, shape Z

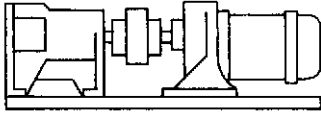
► Standard supply

▷ Possible supply, for these purposes, the sealing housing must be turned in case of designs P02/P12, G0S/G1S, G0T/G1T, G0Q/G1Q, G0D/G1D.

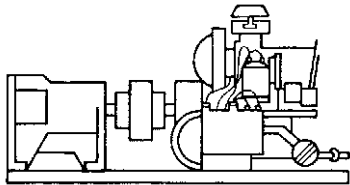
Driving possibilities



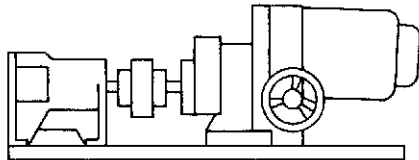
1 AE-ID with flexible coupling and motor



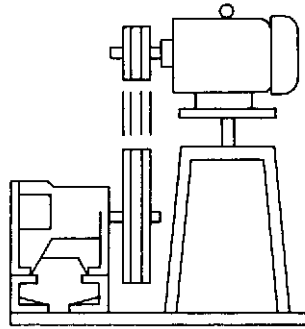
2 AE-ID with flexible coupling and geared motor



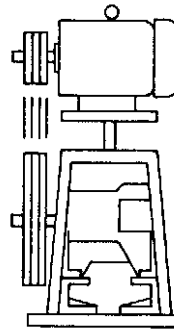
3 AE-ID with flexible coupling and combustion engine



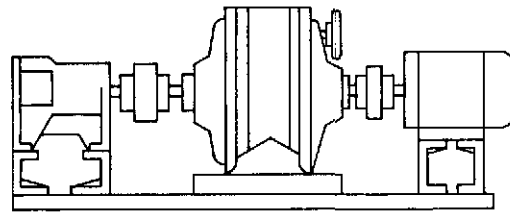
6 AE-ID with flexible coupling and infinitely variable gear



4 AE-ID with V-belt drive, rocker and motor arranged behind the pump



5 AE-ID with V-belt drive, rocker and motor arranged above the pump



7 AE-ID with flexible coupling, gear or variable speed gear, flexible coupling and motor

Further driving variants (e.g. hydraulic or pneumatic drives) are possible.

Range of eccentric screw pumps	Series	Number of stages	Maximum output at $\Delta p = 0$ bar		Maximum del. pressure bar	Maximum viscosity mPa·s
			m ³ /h	l/min		
	AE.E-ID	1,2	450	7500	10	300.000
	AE.N-ID	1,2	290	4850	16	270.000
	AE.H-ID	2,4	174	2900	24	270.000
	AEB.E-IE	1,2	174	2900	6	300.000
	AEB.N-IE	1,2	111	1850	12	270.000
	AEB4H-IE	4	12	200	24	270.000
	AED.E-ID	1	720	12000	8	250.000
	AED.N-ID	2	450	7500	16	225.000
	AEDB.E-IE	1	258	4300	6	250.000
	AEDB.N-IE	2	174	2900	12	225.000
	AE.N...-RG	1,2,4	30	500	20	1.000.000
	TECFLOW	1	186	3100	4	200.000
	SEZP	1,2	21	350	10	1.000.000
	SNZP	1,2	45	750	12	1.000.000
	SNZBP	1,2	45	750	12	1.000.000
	SSP	1,2	48	800	12	150.000
	SSBP	1,2	48	800	12	150.000
	SETP ^⓪	1,2	140	2350	10	300.000
	SETBP	1,2	40	670	10	150.000
	SEFBP	1	40	670	6	150.000
	SMP	1	40	670	6	150.000
	SMP2	1	5,5	92	6	11.500
	AFP	1	2,8	47	6	50.000
	ANP	2	2,5	42	12	20.000
	ANBP	2	2,5	42	12	20.000
	ASP	2	2,5	42	12	20.000
	ASBP	2	2,5	42	12	20.000
	ADP	3	0,6	10	12	20.000
	ADBP	3	0,6	10	12	20.000
	ACNP	1,2	29	480	12	150.000
	ACNBP	1,2	29	480	12	150.000

^⓪ Special versions for higher pressures available.

Peristaltic range	Series	Maximum output		Maximum del. Pressure bar	Maximum viscosity mPa·s
		m ³ /h	l/min		
	ASL	2,4	40	4	100.000
	ASH	60	1000	15	100.000

Macerator range	Series	Maximum throughput m ³ /h	Generated delivery head m
	ABM ... S-1	80 at 3 % solids	3
	AM ... I-1	160 at 3 % solids	-
	ABM ... I-1	80 at 3 % solids	-

Accessories

Pump accessories: Stator setting devices, electrical heaters, bridge breakers.
Drivers: Electric motors, geared motors, variable speed transmissions, reduction gearboxes, internal combustion engines, pneumatic and hydraulic drives.
Transmission components: Couplings, V-belt transmissions, toothed belt transmissions, other types of transmission.
Base plates: Standard and special versions, wheeled trolleys, mounting flanges.
Safety arrangements: Bypass lines with safety or regulating valves, systems to guard against dry running (conductive, capacitive, thermal etc.).
Other accessories: Electrical, hydraulic and pneumatic control arrangements, filter systems, metering equipment, seal liquid and circulating systems for shaft seals, valves, flanges, flexible pipes.

Subject to technical alterations



ALLWEILER

A COLFAX Business Unit

ALLWEILER AG

Postfach 200123 · 46223 Bottrop

Kirchhellener Ring 77-79 · 46244 Bottrop

Germany

Tel. +49 (0)2045 966-60

Fax. + 49 (0)2045 966-679

E-Mail: service-ge@allweiler.de

Internet: www.allweiler.com

VM 852 GB / 03.04 – Ident No. 796 204