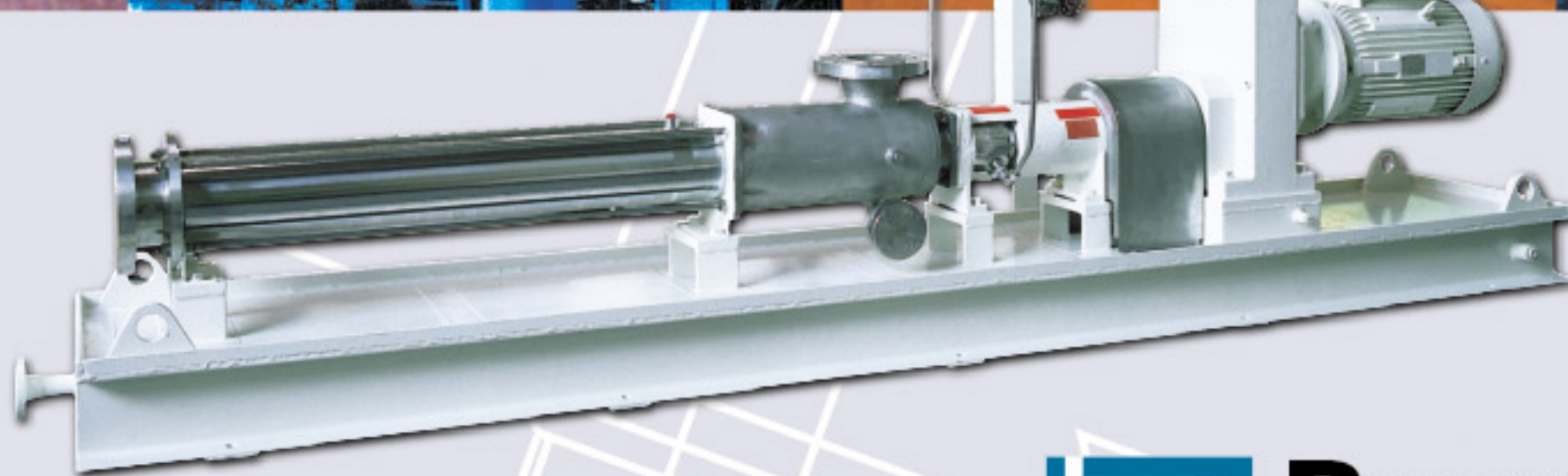


**For all things flowing.**  
**Bornemann progressive cavity pumps.**  
**The universal pump concept.**



**B** Bornemann  
Pumps



Bornemann was established in 1853 and has been designing and constructing pumps and pump systems for over 75 years.

In 1934, Bornemann began designing and manufacturing our Twin Screw Pumps with external bearings, which today are still the foundation of our production and the premier pump in our product line.

Agencies and subsidiaries throughout the world guarantee immediate and professional support in all phases of business from extensive consulting through professional engineering to the installation and reliable maintenance of the installed pump and system. Bornemann is certified under DIN EN ISO 9001.

**1853 - 2003: 150 years tradition and innovation.**

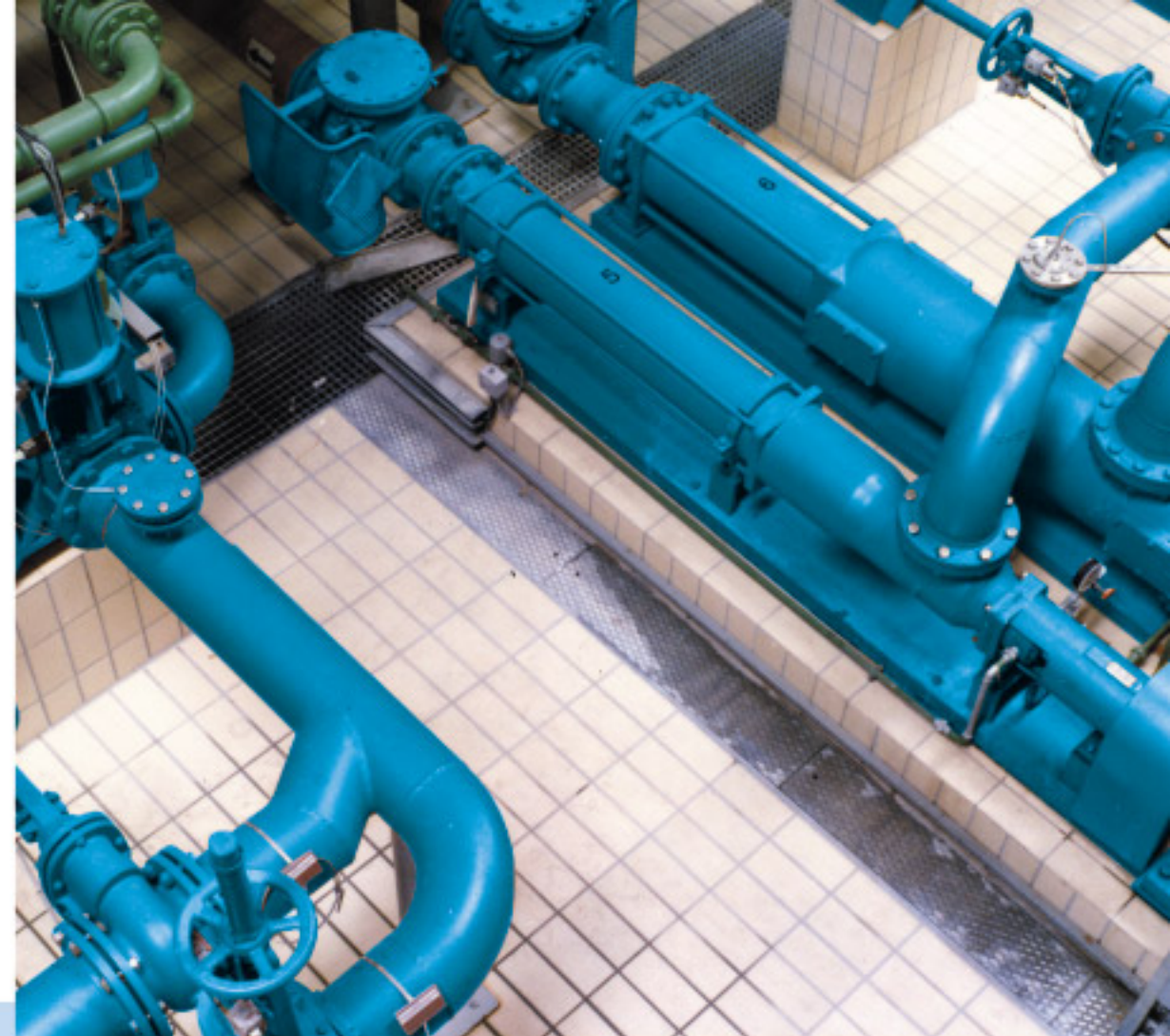
# Tried and tested world wide, technically superior

## Fields of application:

Bornemann progressiv cavity pumps are compact, rugged and powerful. They are available in different power classes and material combinations. They prove their value world-wide in public and industrial waste water treatment and waste disposal. They provide optimum solutions for transferring fluids in the chemical and petrochemical industry, the food industry, the cosmetics industry, the paper industry, in civil engineering, mining, industrial processing and everywhere where the conveyed product is too viscous and with too poor flowing properties to be pumped by other pumps.

## Advantages for the user:

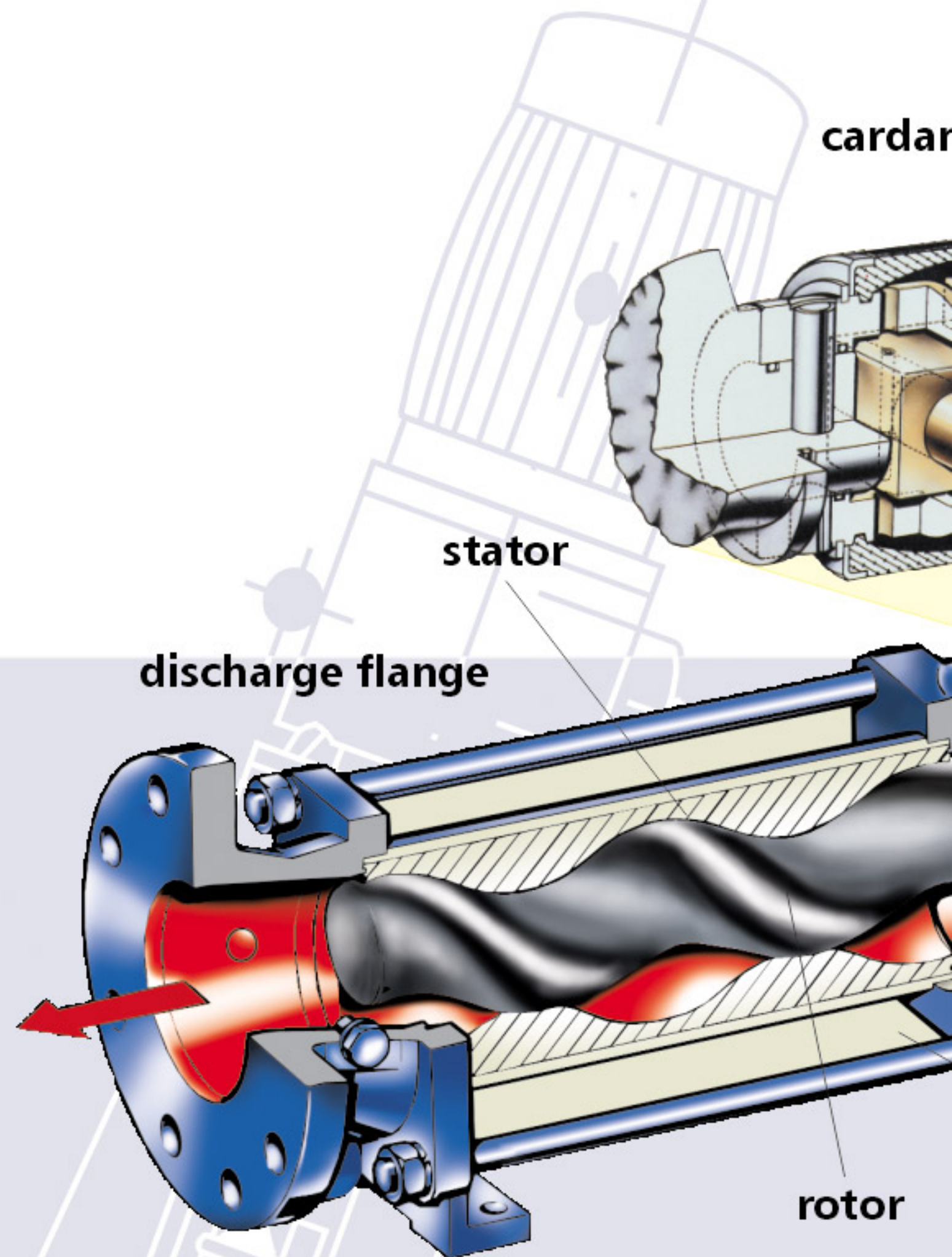
- Suitable for application anywhere
- Gentle conveying
- Continuous pulsation free transfer
- Capable of metering
- Rugged and long-life
- Standard pumps
- Pump executions according customer specifications
- individual shaft sealing



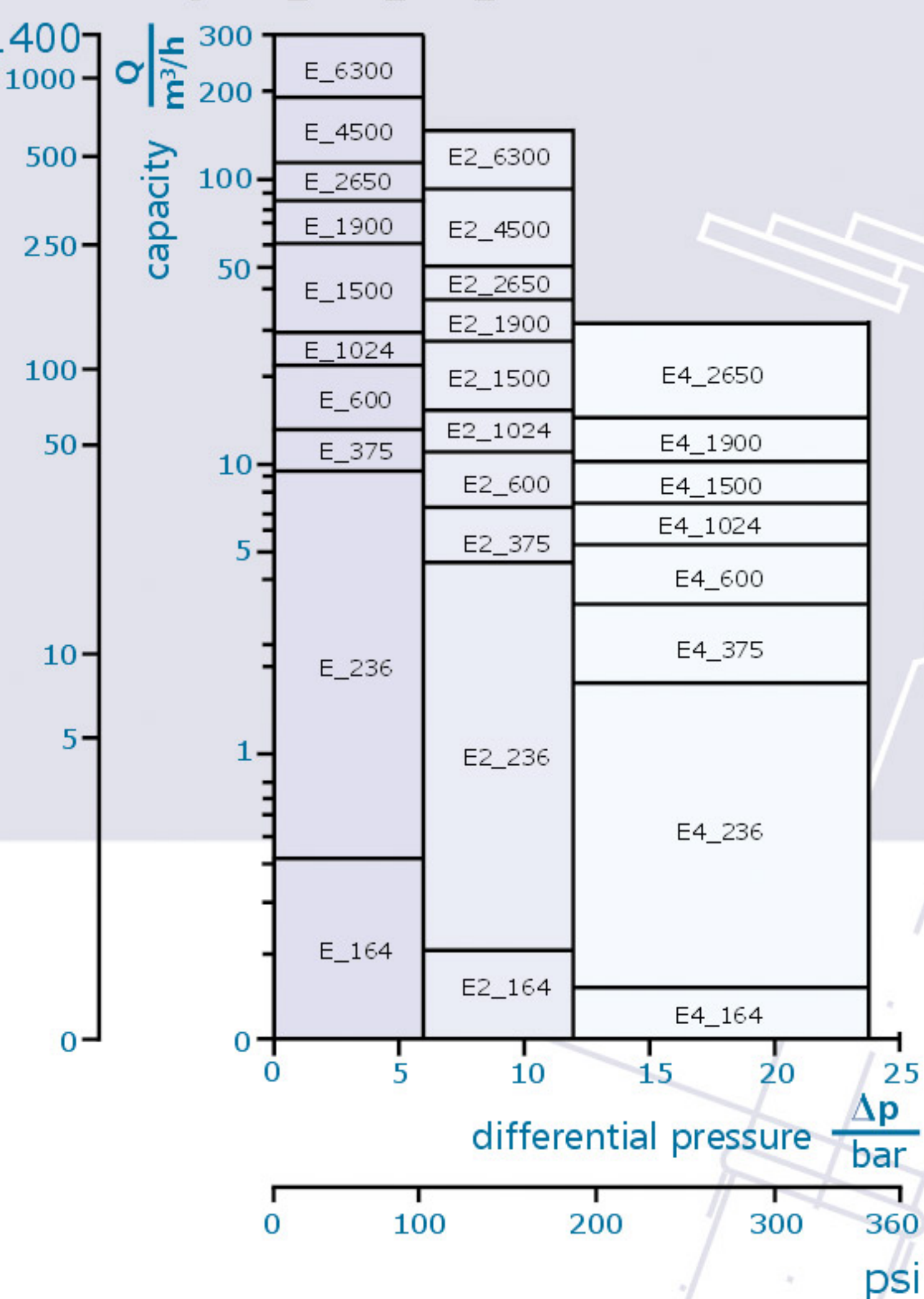
# Unlimited applications.

## Advantages of the product:

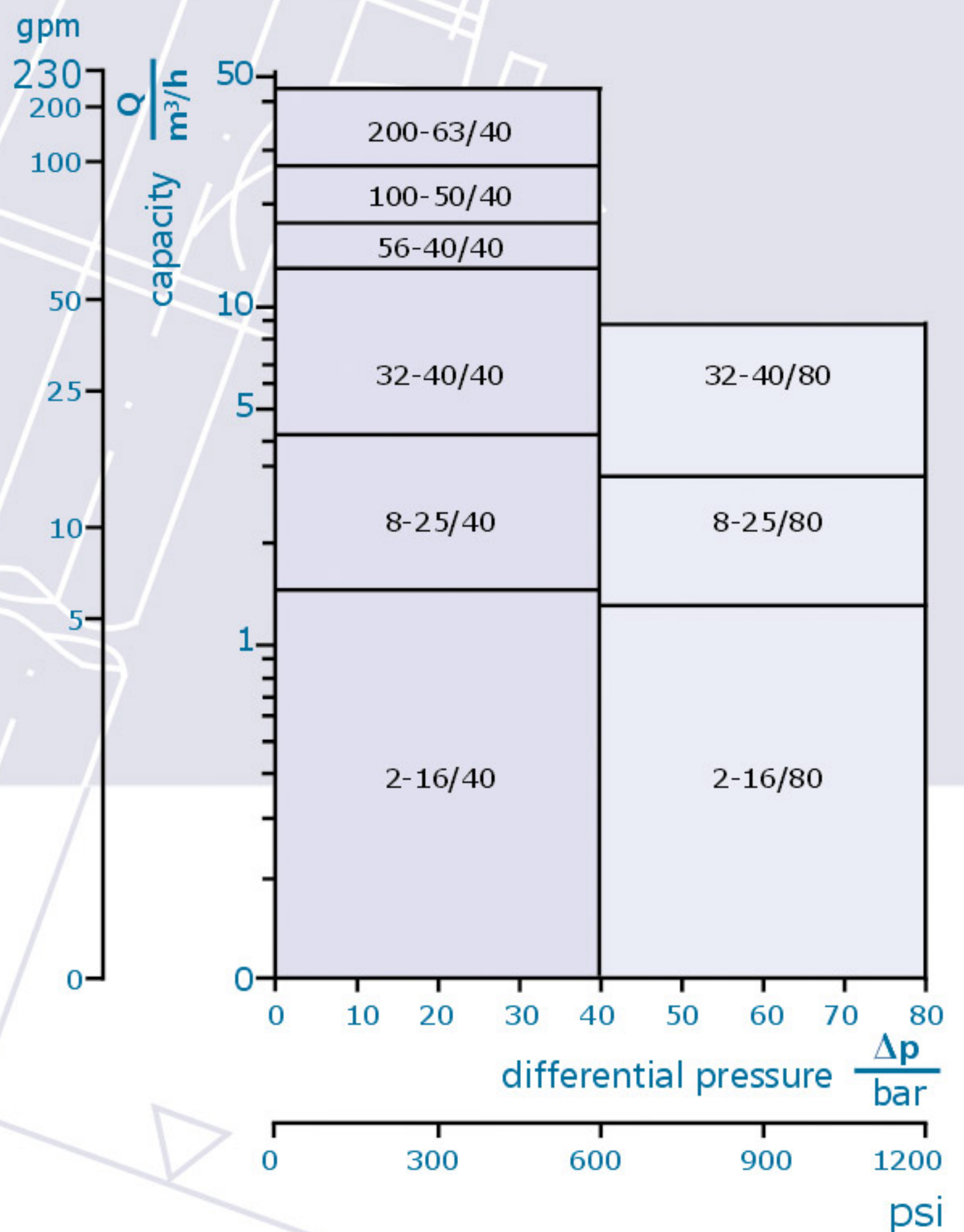
- Suitable for application anywhere
- Suction lift up to 8,5 m (25 feet)
- Flow rate up to 300 m<sup>3</sup>/h (1400 gpm)
- Pressure up to 80 bar (1200 psi)
- Viscosity up to 1.000.000 mm<sup>2</sup>/s
- Solid particle size <75 mm (3'')
- Media temperatures up to 180°C (360°F)



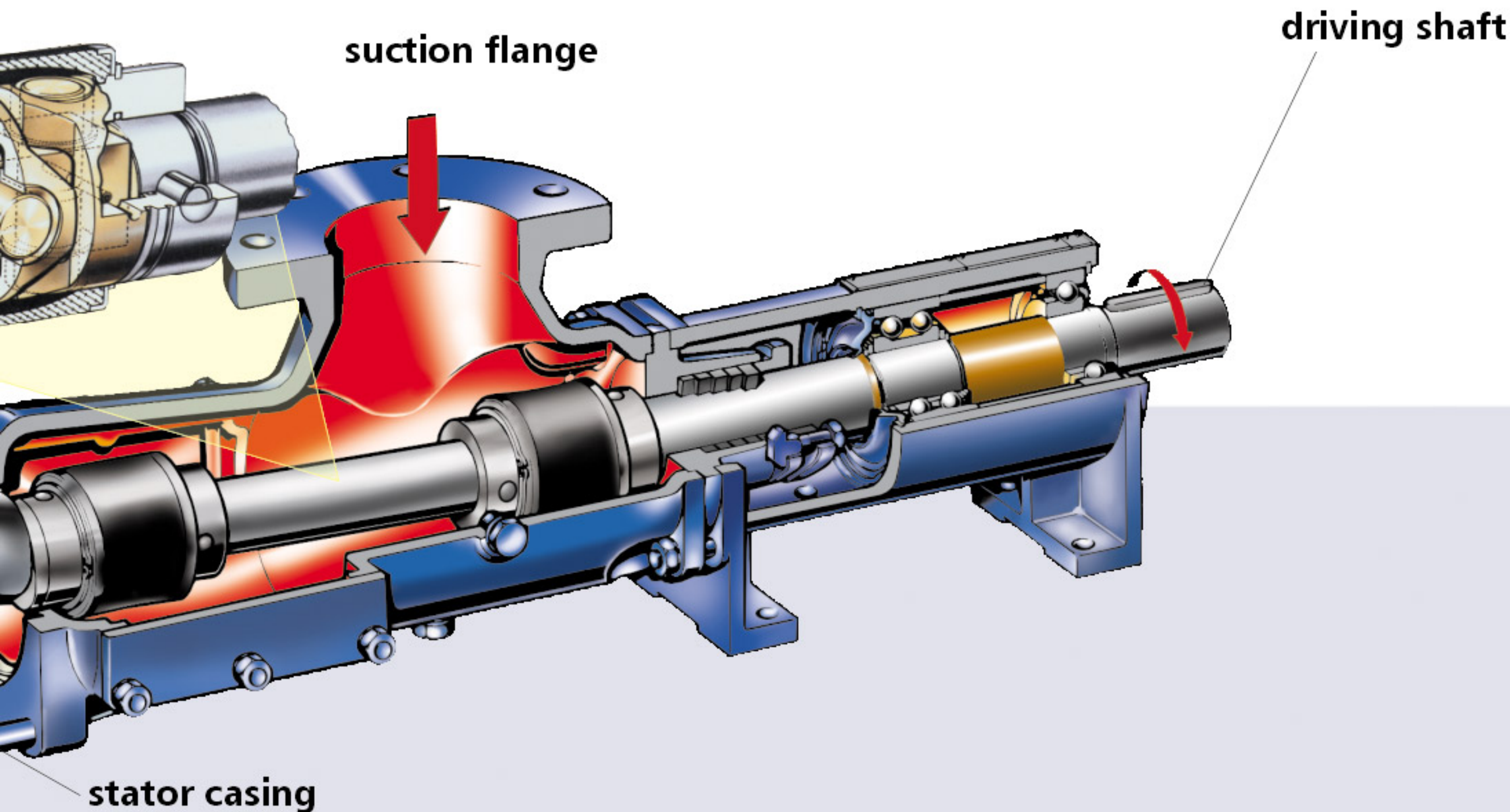
gpm Ranges E\_H, E\_L, E\_U



Range EP



joint



### Principle of operation:

Bornemann pumps are self-priming positive displacement pumps. They consist of two elements: the rotating eccentric screw and the fixed stator. The medium is conveyed with low pulsation and turbulence. In the conveying of abrasive media an advantage is achieved by the flexible choice of materials for the rotor and stator. The flow rate is proportional to the speed of rotation.

Increasing the number of stages raises the pump pressure proportionally. The design allows pumping in both directions, a high suction lift and gentle conveying. Due to the numerous combinations of materials for the rotor and the stator and the gentle conveying with extremely low shear forces, the progressive cavity pumps are also highly suitable for measuring and metering tasks.

### Technical data:

Various materials are available to adapt the pump optimally to the medium.

Pump casing	EH, EL	GG-25
	EH, EL	1.4408 (1.4581)
	EU	1.4571
	EU, EP	Steel St. 37
	EH, EL, EU, EP	1.4462
Rotor		C 45 hcp
		1.4571
		1.4462
Shaft		1.4021
		1.4571
		1.4462
Stator		Buna (SBR)
		Perbunan (NBR)
		Perbunan, white (NBR)
		Therban (HNBR)
		Viton (FPM)
		Butyl-rubber (IIR)
		Hypalon (CSM)
	EPDM-rubber (EPDM)	

# Diversity and performance

## Series EU

These pumps are exclusively installed vertically and are employed to convey thin or highly viscous media with or without solid or fibrous components. The pumps are installed directly above the pits or tanks or on a wall to be emptied. This series is employed in all branches of industry.

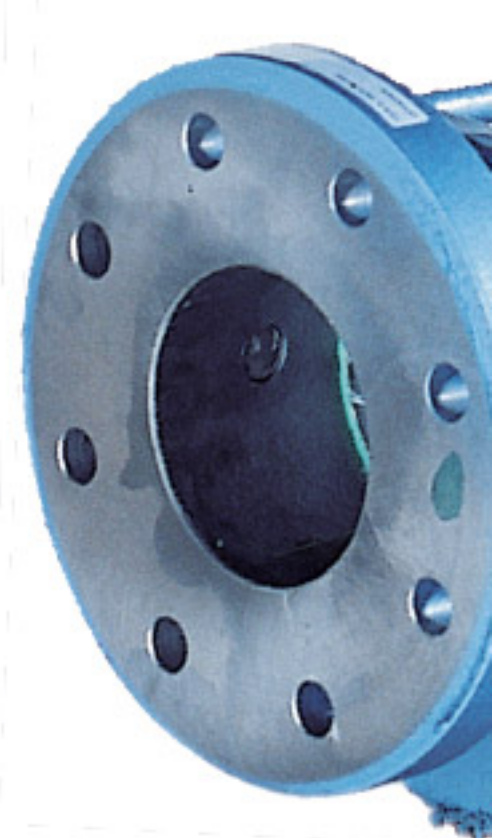
The EU series is available with one stage 6 bar (90 PSI) or two stages 12 bar (180 PSI).

## Series EL

In this series, the pump is connected directly to the driving machine by a special drive shaft and a motor stand. The motor stand is also the base of the pump. This design has the following advantages: short length, low weight and no separate baseplate.

The EL series is available with one stage 6 bar (90 PSI) or two stages 12 bar (180 PSI).

Series EU





Series EH

### Series EH

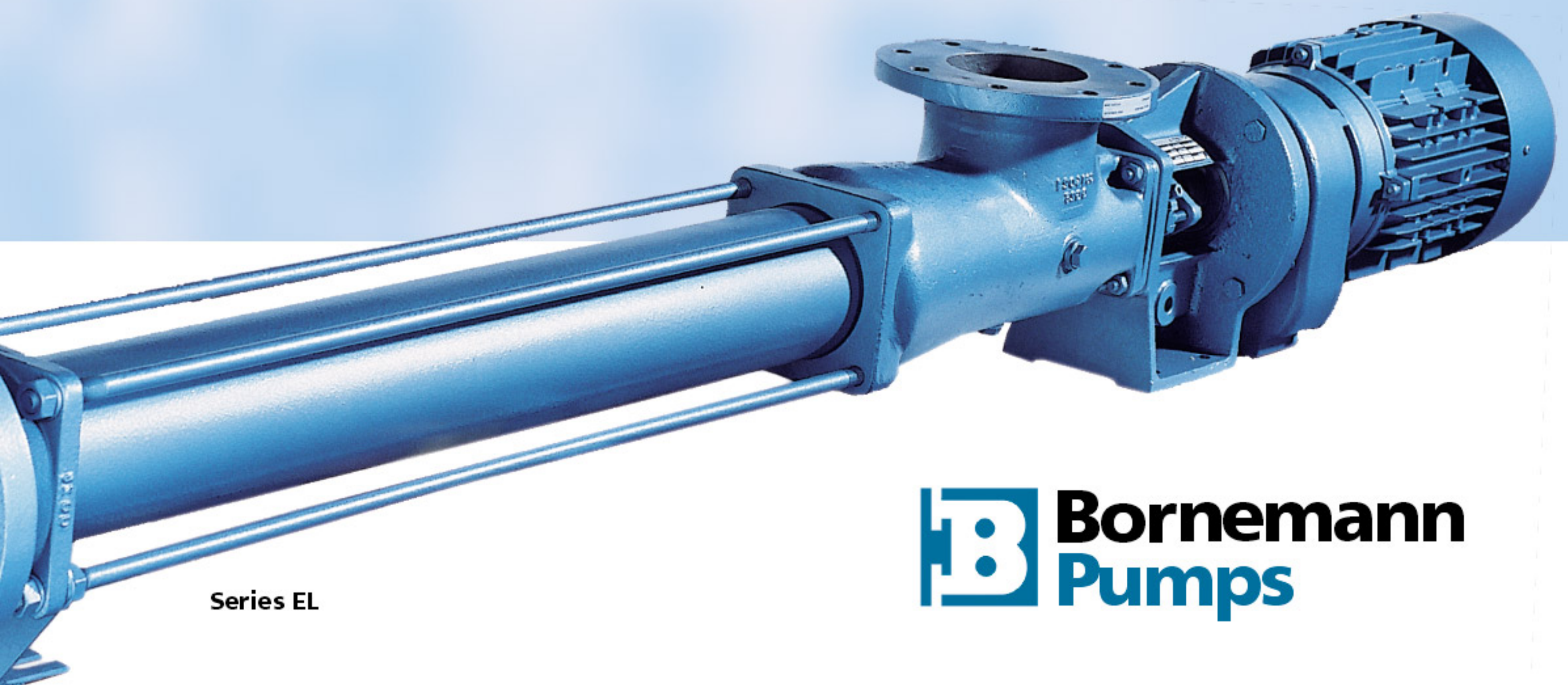
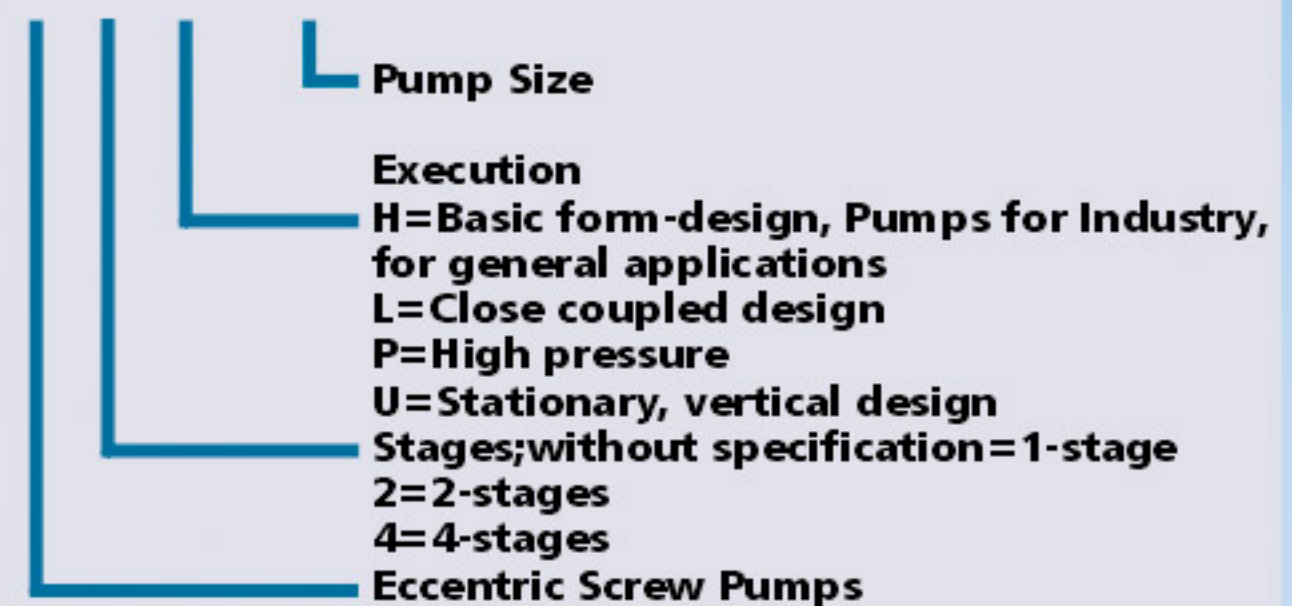
Horizontal pump with flange connection for industrial and waste water applications, suitable for thin and thick, neutral or aggressive media with or without solid or fibrous components. The pump can be employed with any drive. The standard conveying rate of the EH series is up to 300 m<sup>3</sup>/h (1400 GPM). The EH series is available with one stage 6 bar (90 PSI), two stages 12 bar (180 PSI) and four stages 24 bar (350 PSI).

### Series EP

This series can be ideally employed everywhere where low conveying rates are required at high pressures. This series can also convey nearly all media without difficulty. These pumps are also suitable for continuous operation.

#### Pump Type Code

E 2 H 1500



Series EL



Pumps and Systems for Industry,  
Environmental and Shipbuilding

[www.bornemann.com](http://www.bornemann.com)

**Joh. Heinr. Bornemann GmbH**

Postfach 1162  
31676 Obernkirchen  
Germany

Fon +49 5724 390-0

Fax +49 5724 390290

[info@bornemann.com](mailto:info@bornemann.com)



Good communication with our customers is an important feature in Bornemann's Quality Program, from initial project consultation to maintenance. Professional support and fast service are top priorities. Specialists in pumps and pump systems located in our company headquarters and in nearly

100 representatives and agencies through the world provide professional quality support on a local level. Our employees and representatives are trained at our training center in order to stay current on new technologies and provide the best support available to our customers.

**Singapore:**

**Bornemann Pumps  
Asia Pte. Ltd.**  
25 Intern. Business Park  
German Centre, # 04-08  
Singapore 609916  
Singapore

Fon:  
+65 6561 6782  
Fax:  
+65 6561 6784  
[info.sg@bornemann.com](mailto:info.sg@bornemann.com)

**USA:**

**Bornemann Pumps  
Inc.**  
P.O. Box 1769  
Matthews, NC 28106  
USA

Fon:  
+1 704 849-8636  
Fax:  
+1 704 849-8637  
[info.usa@bornemann.com](mailto:info.usa@bornemann.com)

**Argentina:**

**Bombas  
Bornemann S.R.L.**  
Armenia 2898  
(1605) Munro  
Prov. Buenos Aires  
Argentina

Fon:  
+54 11 4756-8008  
Fax:  
+54 11 4756-5541  
[info.ar@bornemann.com](mailto:info.ar@bornemann.com)

**China:**

**Bornemann Pumps China  
International Trade**  
Plaza Tianjin  
Room 1007 A  
No. 129 Nanjing Road  
Heping District  
TIANJIN

Fon:  
+86 22 27126418  
Fax:  
+86 22 27126419  
[info.cn@bornemann.com](mailto:info.cn@bornemann.com)